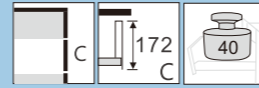


MAGIC-STAR PLUS

HD13 Series Straight-sided Drawer System (High Drawer: C Height)



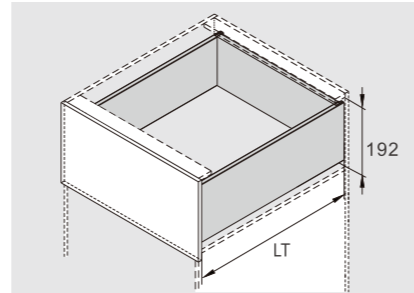
PRODUCT



DESCRIPTION

- Concealed, full extension
- Load capacity: 40kg
- Tool free assembly and removal of drawer
- Silent system guarantees smooth run without noise
- 2D adjustment: Up & down adjustment: ± 2 mm, left & right adjustment: ± 1.5 mm
- Finish: Silk white(E29), Grey matt(E30)

SPACE REQUIREMENT

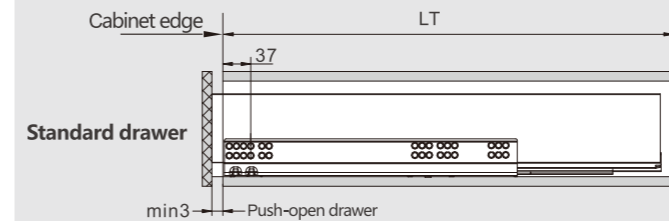


LT=Internal Cabinet Depth
LT=NL+3

PLANNING

Installation Dimensions(mm)

NL=Nominal Slide Length
LT=Internal Cabinet Depth
LT=NL+3



Cabinet Configuration

Cabinet widths/KB(mm)	Push-open drawer Synchronization rod	
300	○	○ recommended
350	○	
400	○	
450	○	
500	○	
600	○	● strongly recommended
800	●	
900	●	
1000	●	
1200	●	

HIGH DRAWER FOR WOOD DRAWER BACK

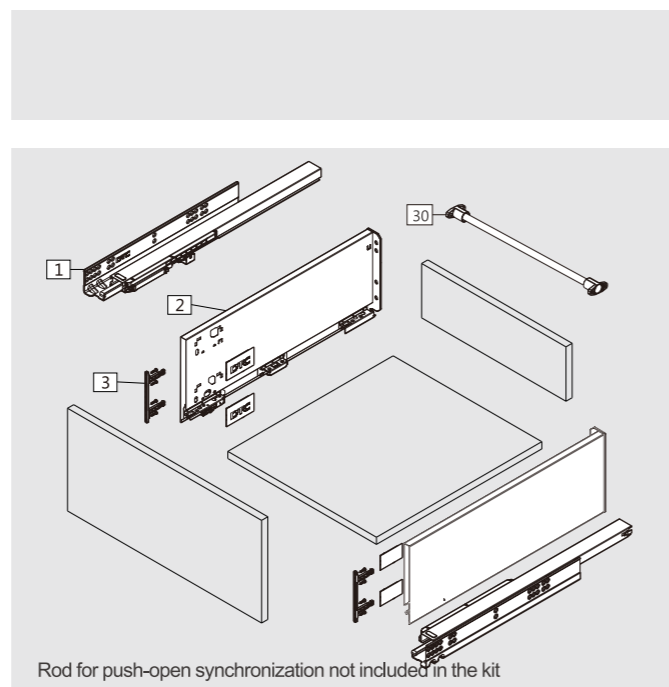
Kit Package			
Silk White(E29)! Grey Matt(E30)!			
NL	Soft Close item No.	Push-open item No.	Set/ctn
270mm	HD13270A18	HD43270A18	1
300mm	HD13300A18	HD43300A18	1
350mm	HD13350A18	HD43350A18	1
400mm	HD13400A18	HD43400A18	1
450mm	HD13450A18	HD43450A18	1
500mm	HD13500A18	HD43500A18	1
550mm	HD13550A18	HD43550A18	1
600mm	HD13600A18	HD43600A18	1

1 Slides (left/right) /Industrial Package			
Pre-zinc Steel(F02)			
NL	Soft Close item No.	Push-open item No.	Set/ctn
270mm	HD10270H	HD40270H	5
300mm	HD10300H	HD40300H	5
350mm	HD10350H	HD40350H	5
400mm	HD10400H	HD40400H	5
450mm	HD10450H	HD40450H	5
500mm	HD10500H	HD40500H	5
550mm	HD10550H	HD40550H	5
600mm	HD10600H	HD40600H	5

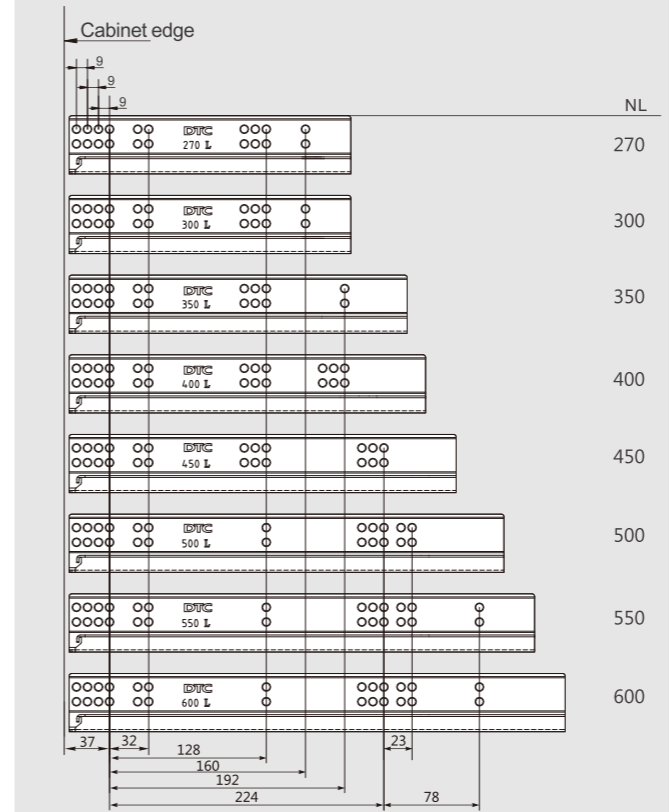
2 Drawer Sides and Cover Caps (left/right) /Industrial Package		
Silk White(E29)! Grey Matt(E30)!		
NL	Item No.	Set/ctn
270mm	HE132708	5
300mm	HE133008	5
350mm	HE133508	5
400mm	HE134008	5
450mm	HE134508	5
500mm	HE135008	5
550mm	HE135508	5
600mm	HE136008	5

3 Front Fixing-brackets (left/right) / Industrial Package		
Blue zinc plated(B02)		
	Item No.	Set/ctn
Screw-on	HE13011	120
Press-in	HE13016	120

30 Rod for Push-open Synchronization / Industrial Package	
Size:1100mm.Cutting:Internal cabinet width LW-172 for Nominal Side Length: 350mm、400mm、450mm、500mm、550mm、600mm	
Item No.	HT0FH02
Set/ctn	60

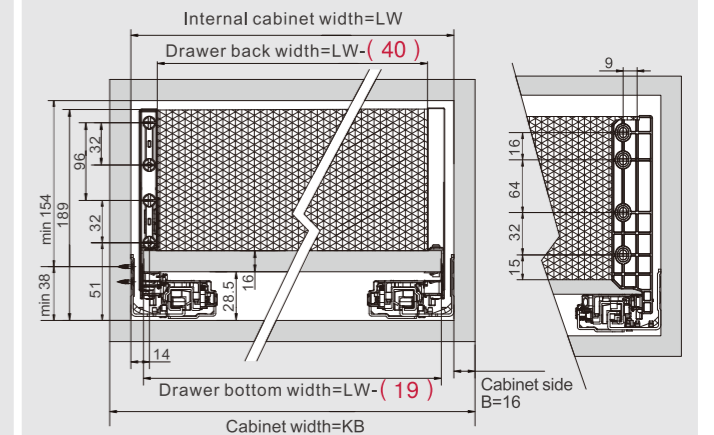


Screw Positions of the Slides(mm)



Installation Dimensions(mm)

LW=Internal Cabinet Width



Drawer Front, Back and Bottom Dimensions(mm)

