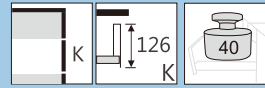


MAGIC-STAR PLUS

HD12 Series Straight-sided Drawer System (Medium Drawer: K Height)



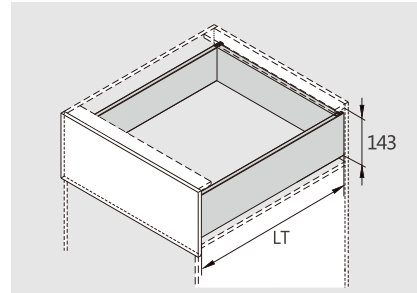
PRODUCT



DESCRIPTION

- Concealed, full extension
- Load capacity: 40kg
- Tool free assembly and removal of drawer
- Silent system guarantees smooth run without noise
- 2D adjustment: Up & down adjustment: ± 2 mm, left & right adjustment: ± 1.5 mm
- Finish: Silk white(E29), Grey matt(E30)

SPACE REQUIREMENT

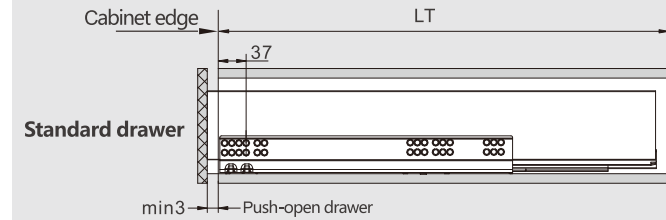


LT=Internal Cabinet Depth
LT=NL+3

PLANNING

Installation Dimensions(mm)

NL=Nominal Slide Length
LT=Internal Cabinet Depth
LT=NL+3



Cabinet Configuration

Cabinet widths/KB(mm)	Push-open drawer Synchronization rod	
300	○	○ recommended
350	○	
400	○	
450	○	
500	○	
600	○	● strongly recommended
800	●	
900	●	
1000	●	
1200	●	

MEDIUM DRAWER FOR WOOD DRAWER BACK

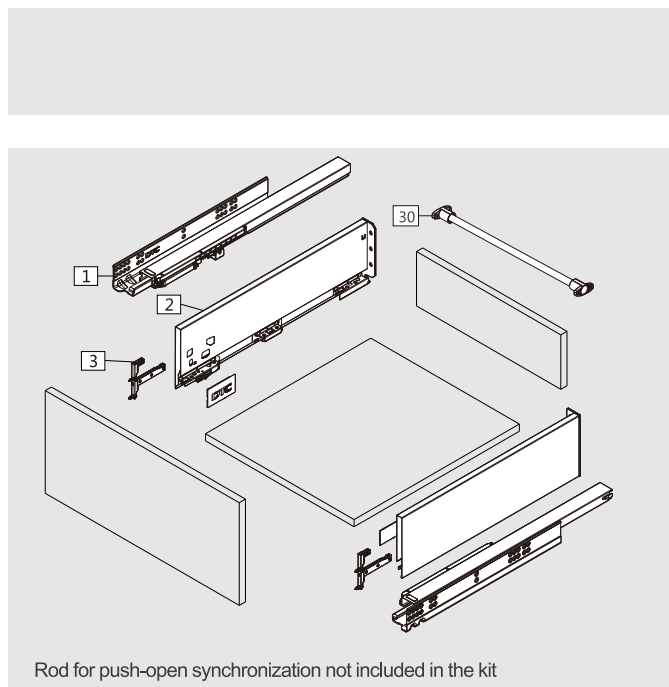
Kit Package			
Silk White(E29)! Grey Matt(E30)!			
NL	Soft Close item No.	Push-open item No.	Set/ctn
270mm	HD12270A18	HD42270A18	1
300mm	HD12300A18	HD42300A18	1
350mm	HD12350A18	HD42350A18	1
400mm	HD12400A18	HD42400A18	1
450mm	HD12450A18	HD42450A18	1
500mm	HD12500A18	HD42500A18	1
550mm	HD12550A18	HD42550A18	1
600mm	HD12600A18	HD42600A18	1

1 Slides (left/right) /Industrial Package			
Pre-zinc Steel(F02)			
NL	Soft Close item No.	Push-open item No.	Set/ctn
270mm	HD10270H	HD40270H	5
300mm	HD10300H	HD40300H	5
350mm	HD10350H	HD40350H	5
400mm	HD10400H	HD40400H	5
450mm	HD10450H	HD40450H	5
500mm	HD10500H	HD40500H	5
550mm	HD10550H	HD40550H	5
600mm	HD10600H	HD40600H	5

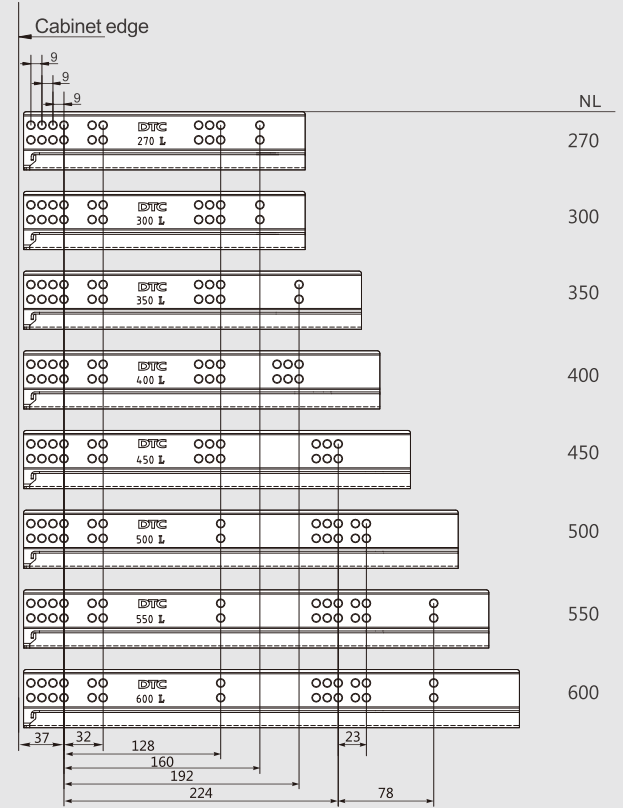
2 Drawer Sides and Cover Caps (left/right) /Industrial Package		
Silk White(E29)! Grey Matt(E30)!		
NL	Item No.	Set/ctn
270mm	HE122708	5
300mm	HE123008	5
350mm	HE123508	5
400mm	HE124008	5
450mm	HE124508	5
500mm	HE125008	5
550mm	HE125508	5
600mm	HE126008	5

3 Front Fixing-brackets (left/right) / Industrial Package	
Pre-zinc Steel(F02)	
	Item No. Set/ctn
Screw-on	HT12011 120
Press-in	HT12016 120

30 Rod for Push-open Synchronization / Industrial Package	
Size:1100mm.Cutting:Internal cabinet width LW-172 for Nominal Side Length: 350mm、400mm、450mm、500mm、550mm、600mm	
Item No.	Set/ctn
HT0FH02	60

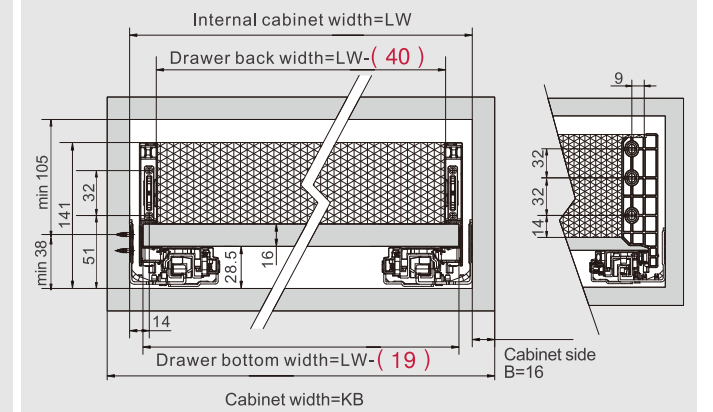


Screw Positions of the Slides(mm)



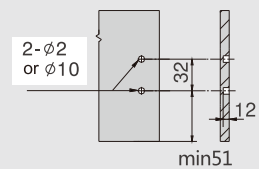
Installation Dimensions(mm)

LW=Internal Cabinet Width



Drawer Front, Back and Bottom Dimensions(mm)

Drawer Front



Back	96 mm
Bottom	NL-(13) mm

KB Cabinet width
LW Internal cabinet width
NL Nominal length

