



# SF-P70

sistemas para puertas correderas

SOFTOP DOBLE

Polígono Industrial Foradada - 08580 - Sant Quirze de Besora (Barcelona)  
Telf. 34-93.852.92.23  
Export. Telf. 34-93.852.96.15  
e-mail: saheco@saheco.com - web: www.saheco.com

MADE IN E.U.



8 422204 853251

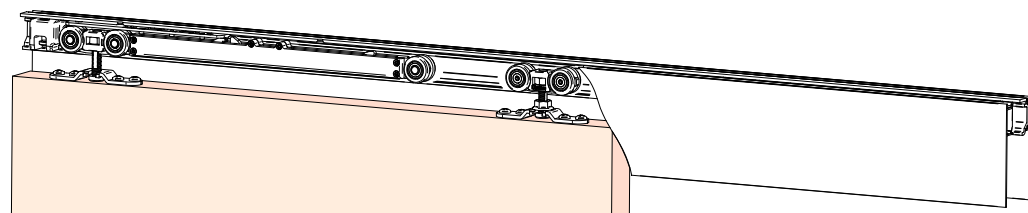
Genier 2024

038060690

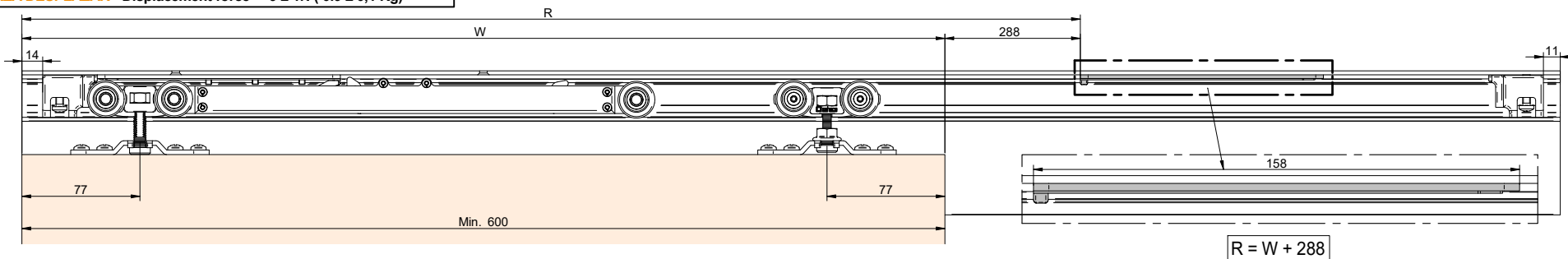


CODE: 007214

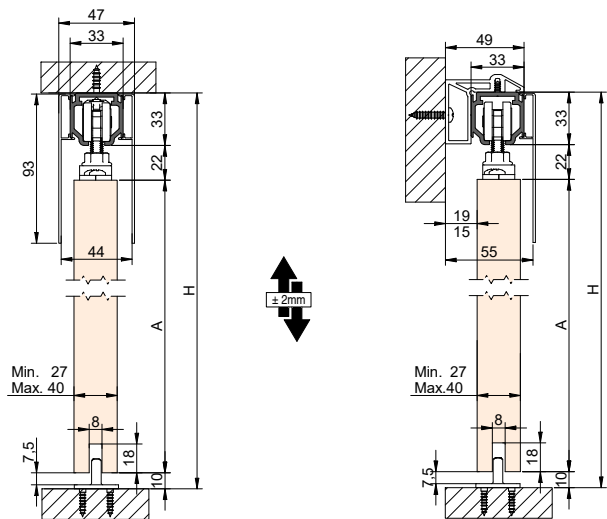
a		1	e		2
b		2	f		1
c		8	g		4
d		1	h		1
	DIN 7505 B 5X25		i		2
				DIN 7505 A 4x20	



**FUERZA ABRIR/CERRAR** · Opening/closing force =  $29 \pm 1N$  (  $2.9 \pm 0,1 Kg$  )  
**FUERZA DESPLAZAR** · Displacement force =  $9 \pm 1N$  (  $0.9 \pm 0,1 Kg$  )

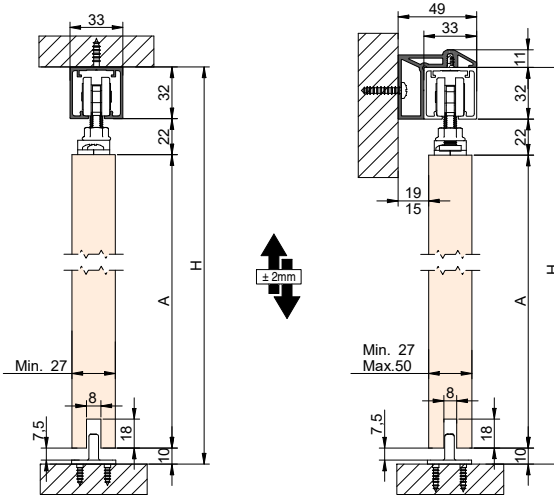


### PERFIL EXCELLENCE / Track Excellence / Profil Excellence



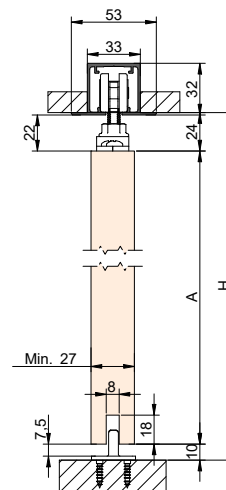
A= H-65

### PERFIL STAR / Track Star / Profil Star



A= H-65

### PERFIL STAR FALSO TECHO / Star Track False Ceiling / Profil Star pour plaques en plâtre



A= H-34

**1 MONTAJE A TECHO / Ceiling mount / Fixation à plafond**

EXCELLENCE STAR

EXCELLENCE:  $\varnothing 5.5$ , 400, DIN 7505

STAR:  $\varnothing 8.5$ , 200, DIN 7505

**2 MONTAJE A PARED + PERFIL SEPARADOR / Wall mount + full width side fixing profile / Fixation à plafond + profil séparateur**

EXCELLENCE STAR

EXCELLENCE: 100, 200, DIN 7504 4.2x13 P

STAR: DIN 7504 4.2x13 P

**3 MONTAJE COMPONENTES / Assembly components / Composant d'assemblage**

**4 FIJAR TOPE MECANICO / Stopper / Régler l'arrêt mécanique**

PARALELISMO IMPORTANTE  
important parallelism  
parallélisme important

**5 MONTAJE ACTIVADOR / Assembly activator**

**6 MONTAJE COMPONENTES / Assembly components**

**7 INSTALACION PUERTA / Door Installation**

2mm

**8 GUIADOR / Bottom guide**

**9 MONTAJE TAPETA FRONTALES / Frontal Alu Covers / Bandeau à clipser sur rail**

**10 TAPETAS LATERALES / Cover caps / Capuchons finals**

STANDARD EXCELLENCE EXCELLENCE STAR