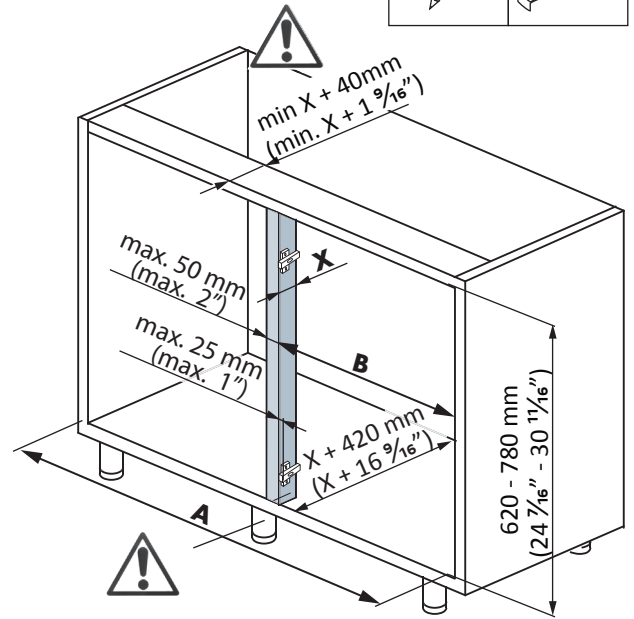
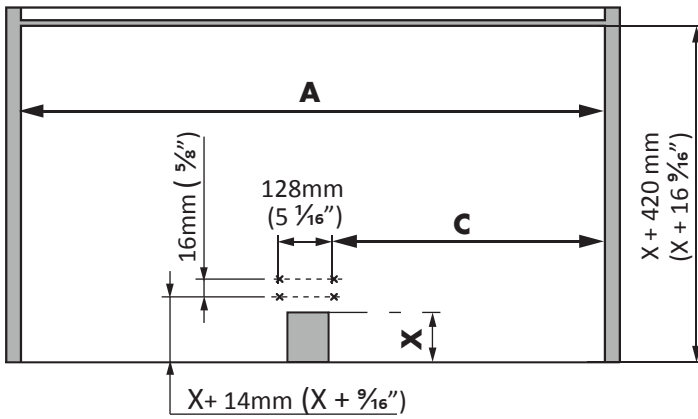
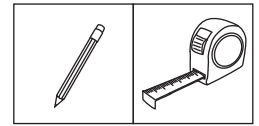
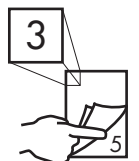
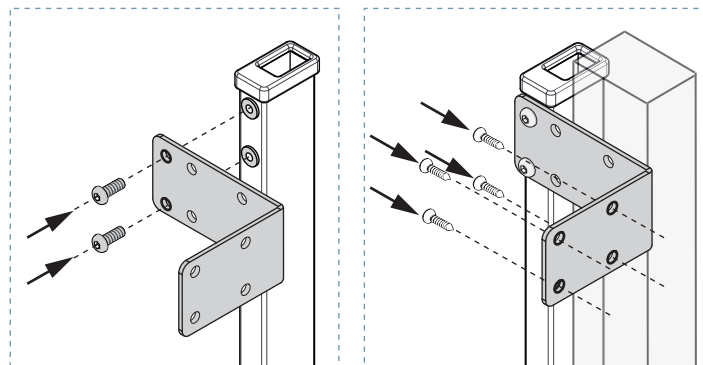
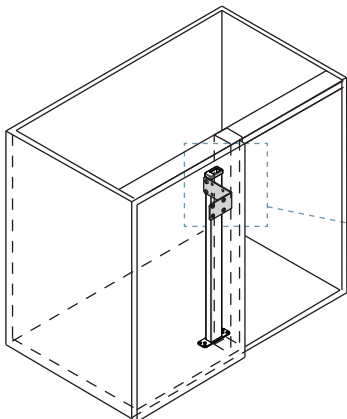
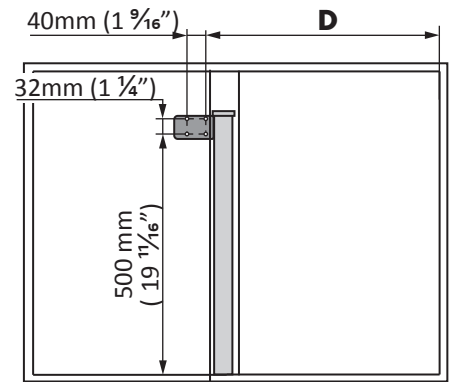
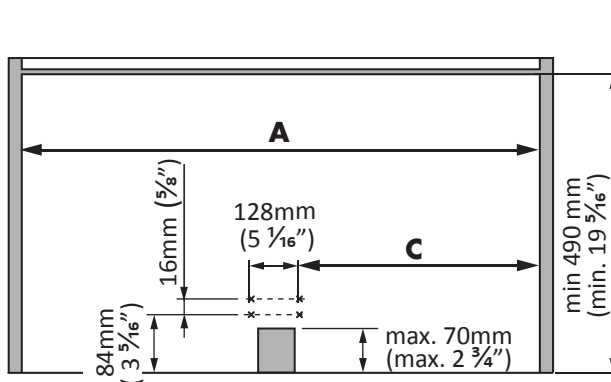
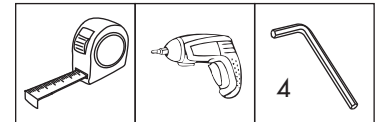
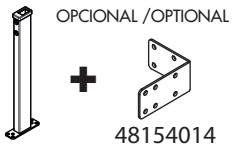
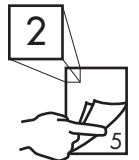


1 a

MÓDULO CON LISTÓN
FRAMELESS CABINET WITH VERTICAL WOODEN CROSS

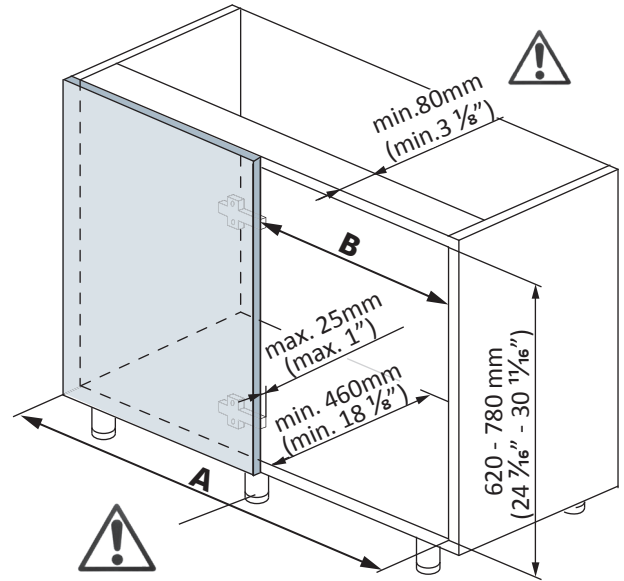
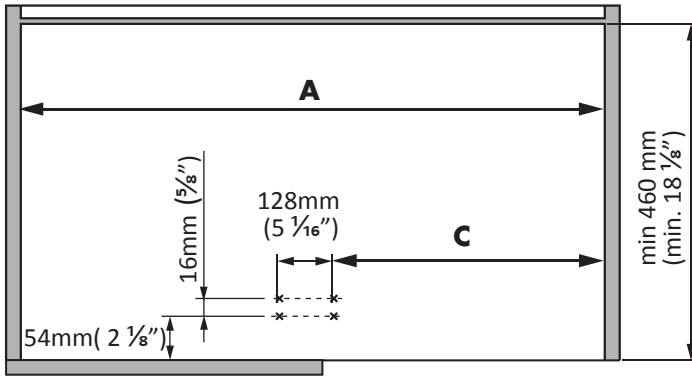
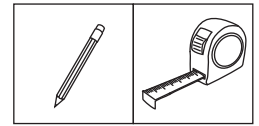


	A	B	C	D
MOD 400	min. 760mm (min. 29 15/16")	360mm (14 3/4")	326mm (12 13/16")	443mm (17 7/16")
MOD 450	min. 860mm (min. 33 7/8")	410mm (16 1/8")	376mm (14 13/16")	493mm (19 7/16")
MOD 500	min. 960mm (min. 37 13/16")	460mm (18 1/8")	426mm (16 3/4")	543mm (21 3/8")
MOD 600	min. 960mm (min. 37 13/16")	560mm (22 1/16")	526mm (20 11/16")	643mm (25 5/16")

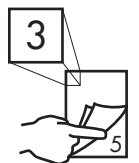
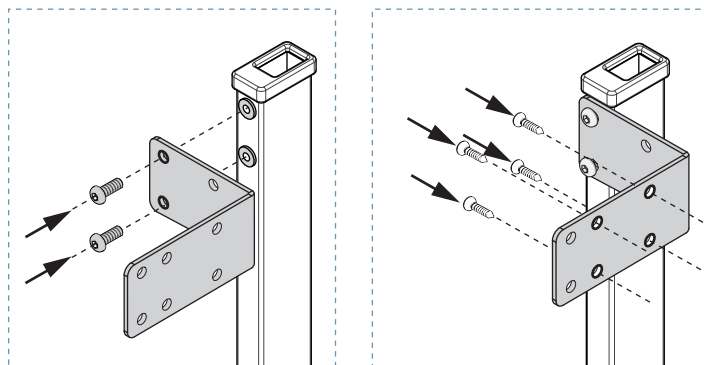
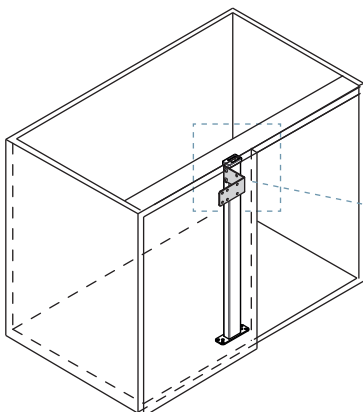
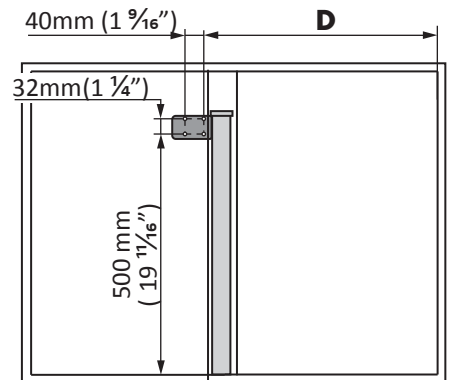
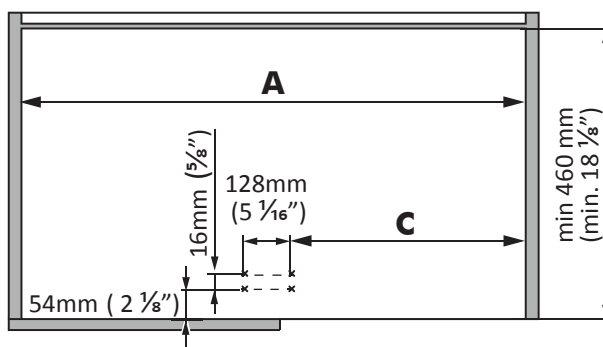
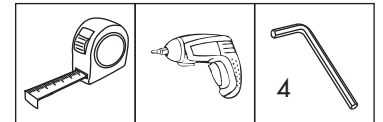
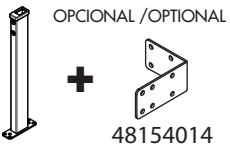
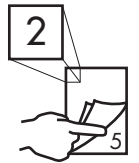


1 b

MÓDULO SIN LISTÓN
FRAMELESS CABINET WITHOUT VERTICAL WOODEN CROSS

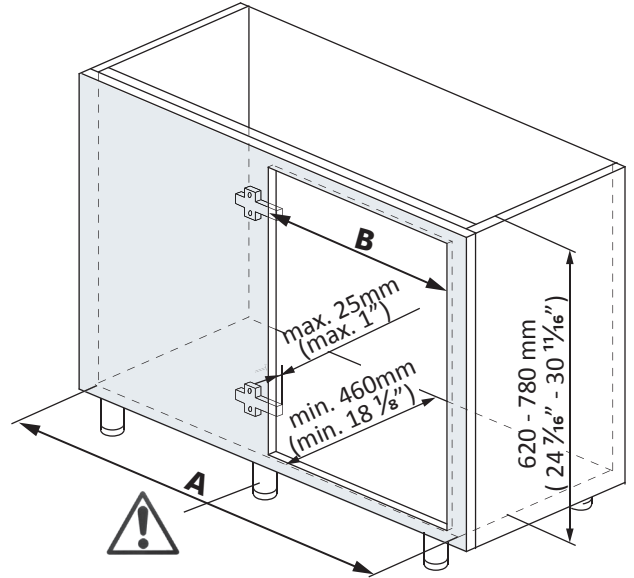
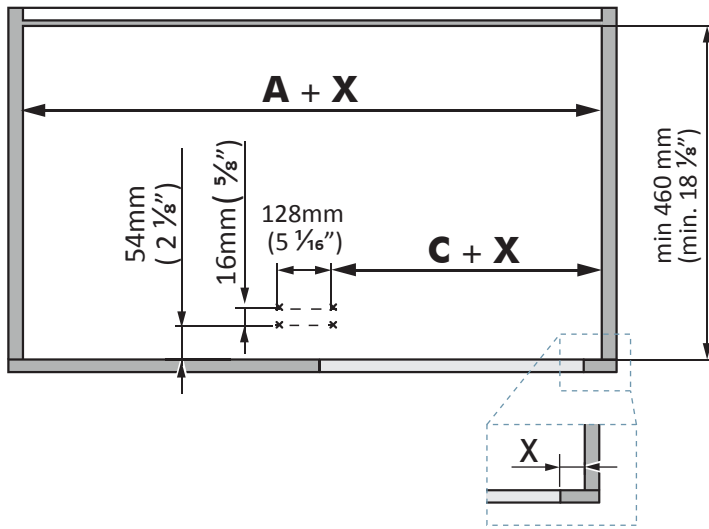
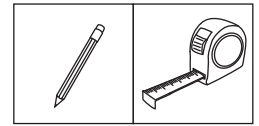


	A	B	C	D
MOD 400	min. 760mm (min. 29 15/16")	360mm (14 3/4")	326mm (12 13/16")	443mm (17 7/16")
MOD 450	min. 860mm (min. 33 7/8")	410mm (16 1/8")	376mm (14 13/16")	493mm (19 7/16")
MOD 500	min. 960mm (min. 37 13/16")	460mm (18 1/8")	426mm (16 3/4")	543mm (21 3/8")
MOD 600	min. 960mm (min. 37 13/16")	560mm (22 1/16")	526mm (20 11/16")	643mm (25 3/16")

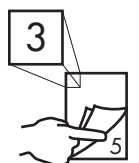
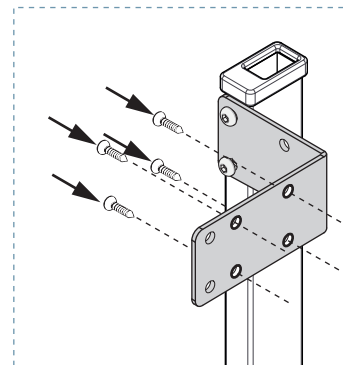
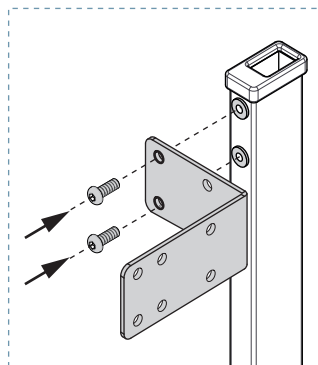
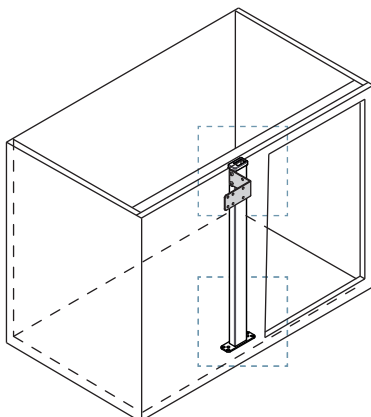
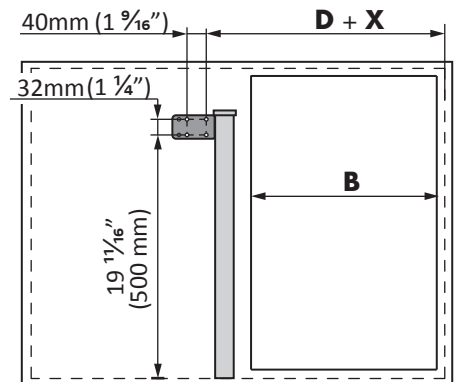
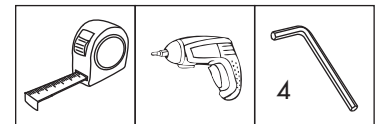
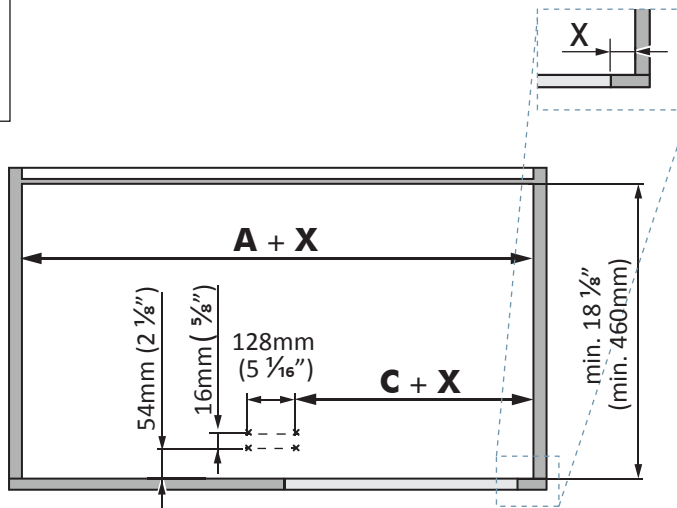
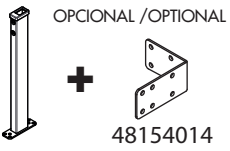
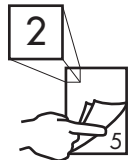


1 c

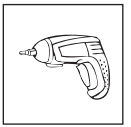
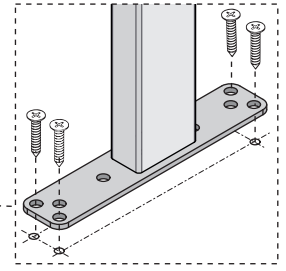
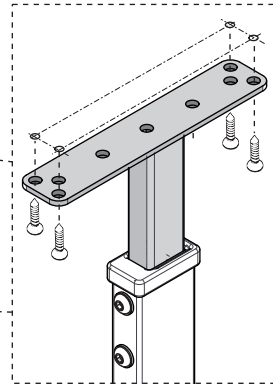
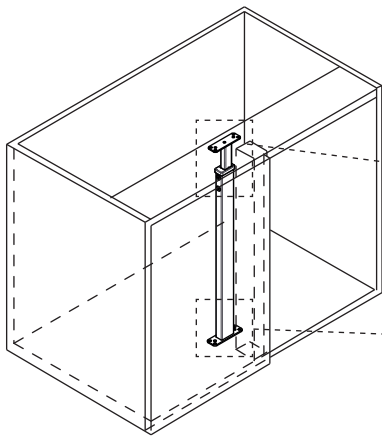
MÓDULO CON MARCO FRONTAL
FACEFRAME CABINET WITHOUT VERTICAL WOODEN CROSS



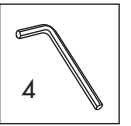
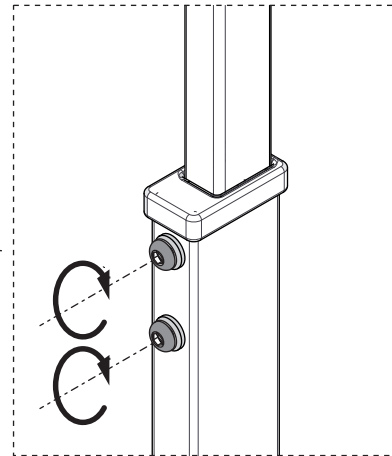
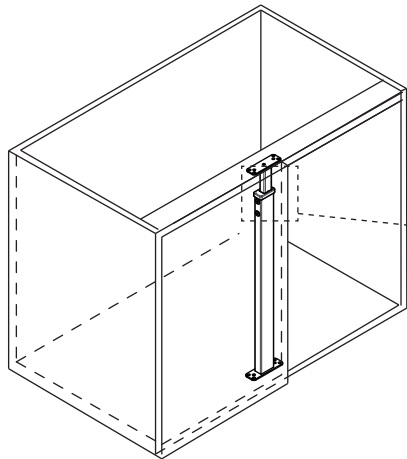
	A	B	C	D
MOD 400	min. 760mm (min. 29 15/16")	360mm (14 3/4")	326mm (12 13/16")	443mm (17 7/16")
MOD 450	min. 860mm (min. 33 7/8")	410mm (16 1/8")	376mm (14 13/16")	493mm (19 7/16")
MOD 500	min. 960mm (min. 37 13/16")	460mm (18 1/8")	426mm (16 3/4")	543mm (21 3/8")
MOD 600	min. 960mm (min. 37 13/16")	560mm (22 1/16")	526mm (20 11/16")	643mm (25 5/16")



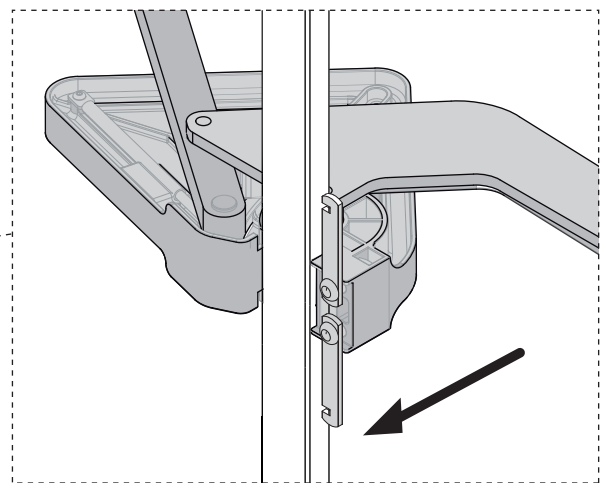
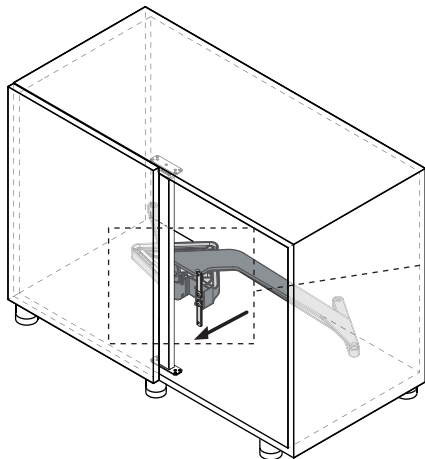
2



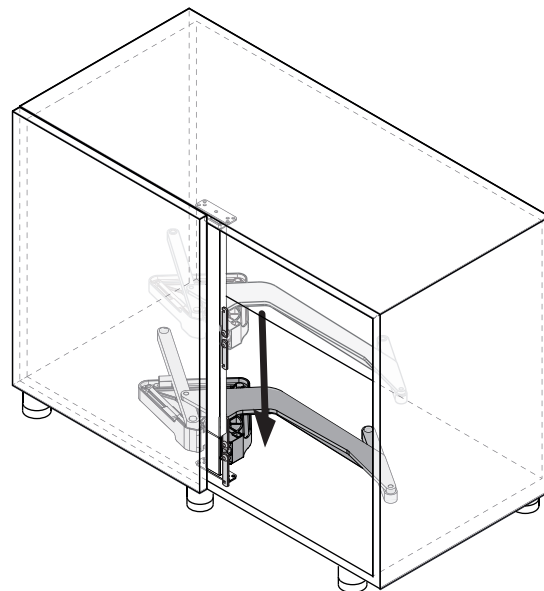
3



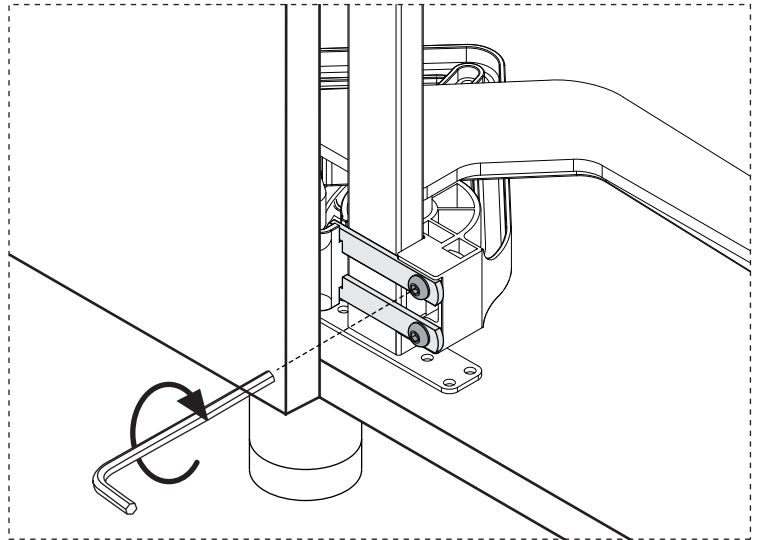
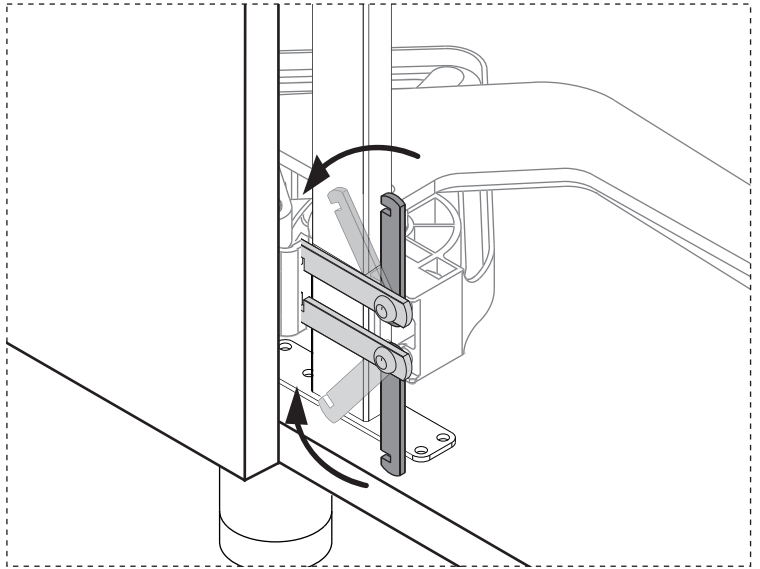
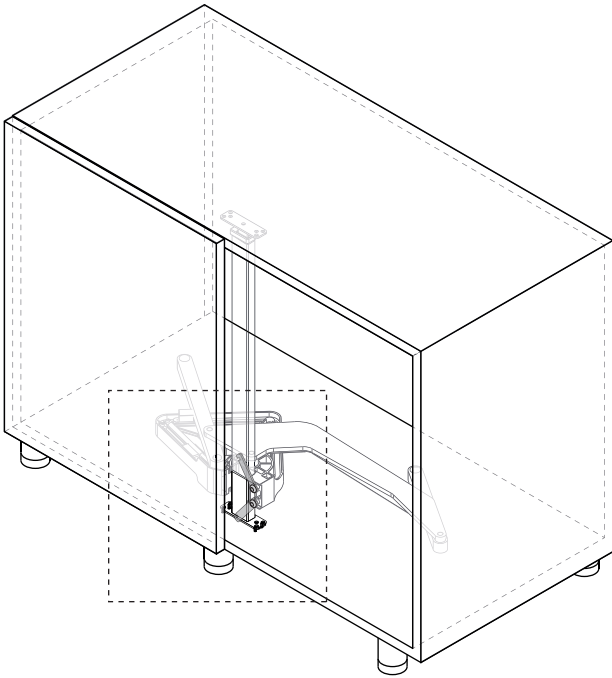
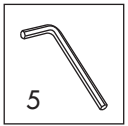
4



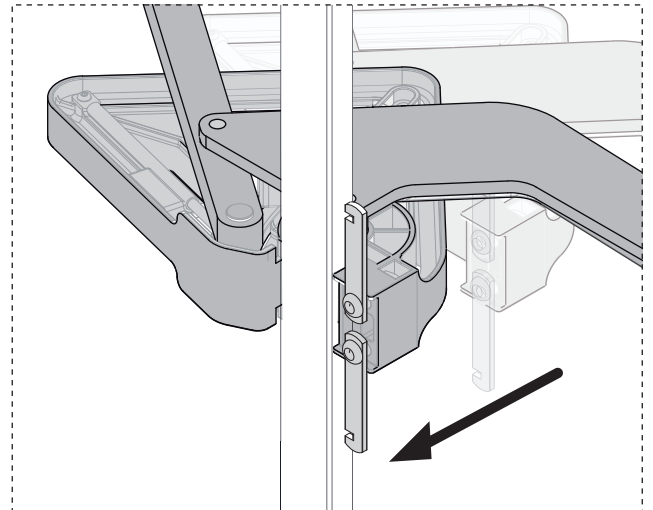
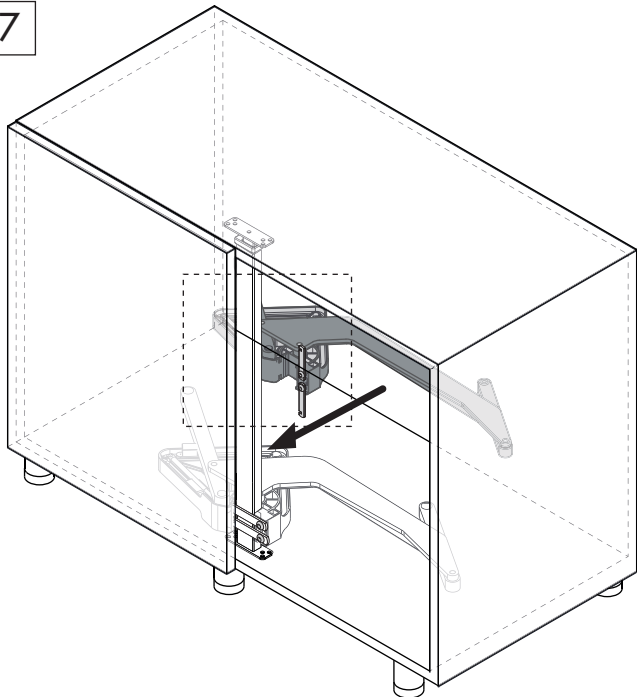
5



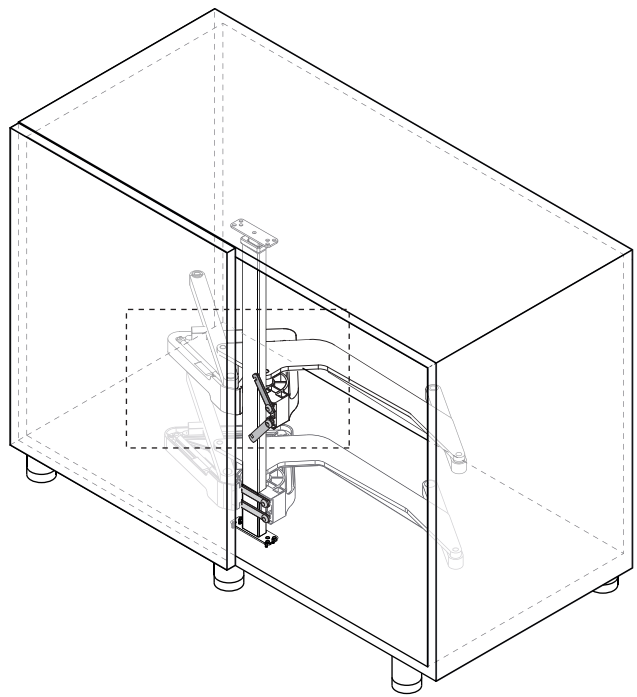
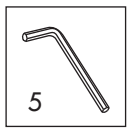
6



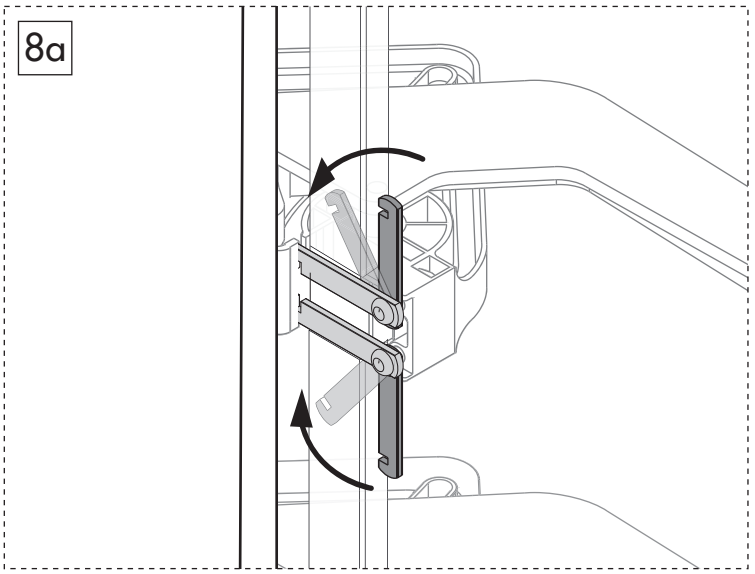
7



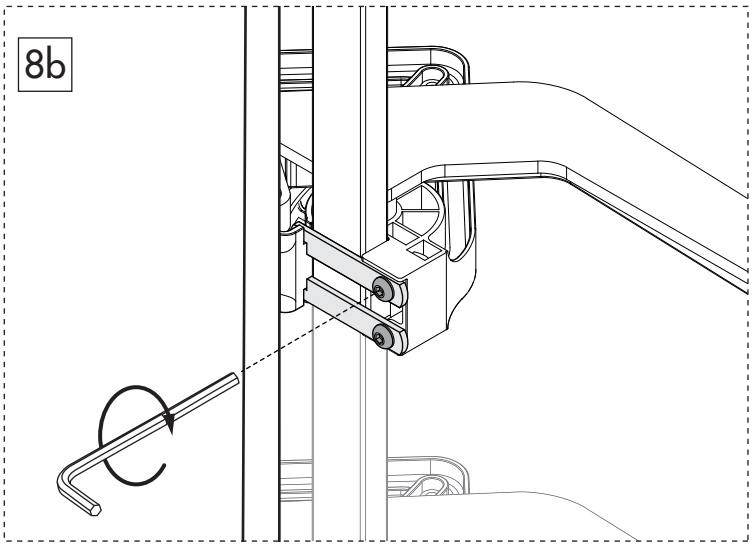
8



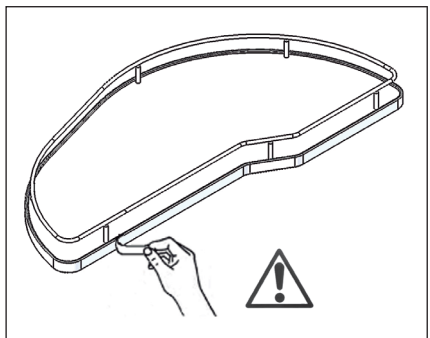
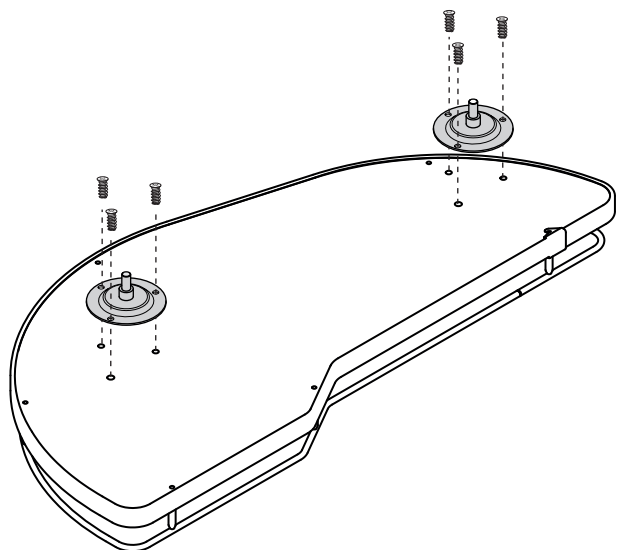
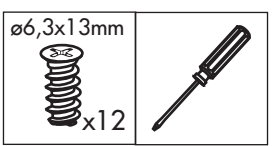
8a



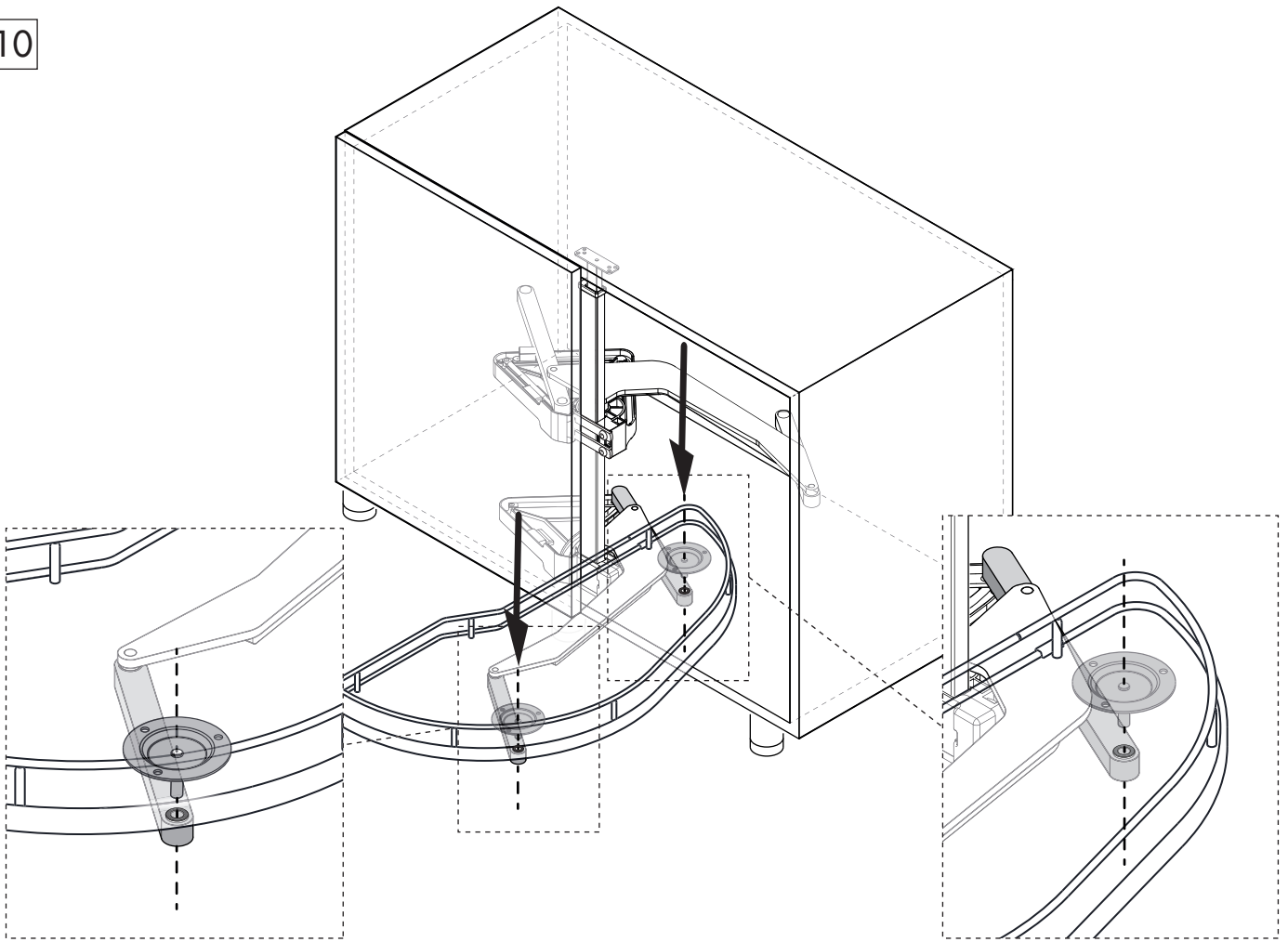
8b



9



10



11

