

HINGE  
SERIES

D HINGE

D HINGE

Perfect motion for every single space

## Integration of Technology and Aesthetics



- Thanks to the perfect concealed symmetry design, the cabinet space looks clear and elegant.
- The integrated damping system with 3D adjustment function provides silent and gentle door closing.
- Designed with compact size, D hinge is ideal for kitchen, wardrobe, bathroom and cocktail cabinet design.



Quietness



Intelligence



Durability



Eco-Friendliness



The D hinge is a combination of superb technology and modern aesthetics to make cabinet interiors appear tidy and beautiful. They are rapidly becoming a desired choice for high-end casework such as kitchen cabinets, wardrobes, bathroom cabinets, wine cabinets, display cabinets, etc.

**DTC**  
Global Quality Benchmark

# D HINGE

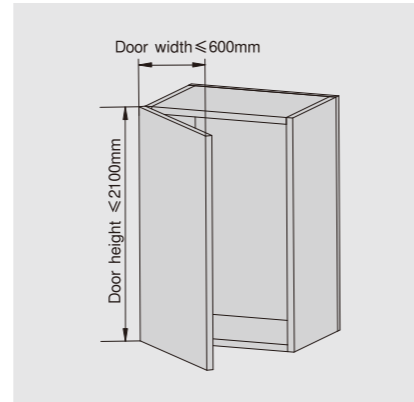
## D HINGE Series Soft-close Hinges

### PRODUCT



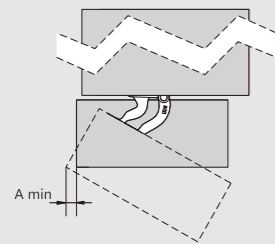
### DESCRIPTION

- Range of door thickness: 18-32mm
- Soft-close
- Opening angle: 103°
- Side, height and depth adjustment
- Maximum door width: 600mm
- Maximum door height 2100mm
- Maximum door weight 20kg



### PLANNING

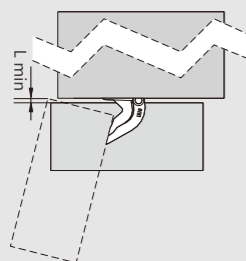
#### Space needed to open the door



L=Gap between door and carcass K=Cup hole drilling distance from door edge T=Door thickness

	T=	T=18	T=20	T=22	T=24	T=26	T=28	T=30	T=32
K=3	A=	0.1	0.2	0.5	0.9	1.4	2.1	3.1	4.7
K=4	A=	0.1	0.2	0.5	0.9	1.4	2	2.9	4.2
K=5	A=	0.1	0.2	0.5	0.8	1.3	2	2.8	3.9
K=6	A=	0.1	0.2	0.5	0.8	1.3	1.9	2.7	3.7

#### Space needed to open the door



L=Gap between door and carcass K=Cup hole drilling distance from door edge T=Door thickness

	T=	T=18	T=20	T=22	T=24	T=26	T=28	T=30	T=32
K=3	L=	0	0	0	0	0	0	0	0
K=4	L=	0	0	0	0	0	0	0	0
K=5	L=	0	0	0	0	0	0	0.1	0.6
K=6	L=	0	0	0	0	0	0.5	1.1	1.6

#### D HINGE / Industrial Package Titanium black

Strength	Door weight	Item No.	Set/ctn
Light	<7kg	<b>TD0ARL</b>	20
Strong	7kg~20kg	<b>TD00RL</b>	20

#### Fixing Bracket

Item No.	Set/ctn
<b>LK14-RL</b>	100

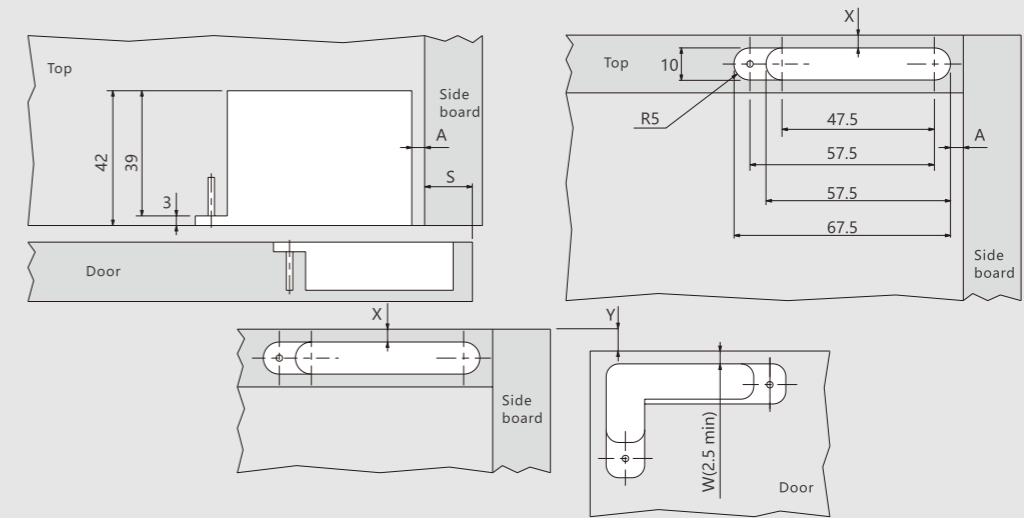
#### Plastic Cover Black

Item No.	Set/ctn
<b>LK13</b>	1000

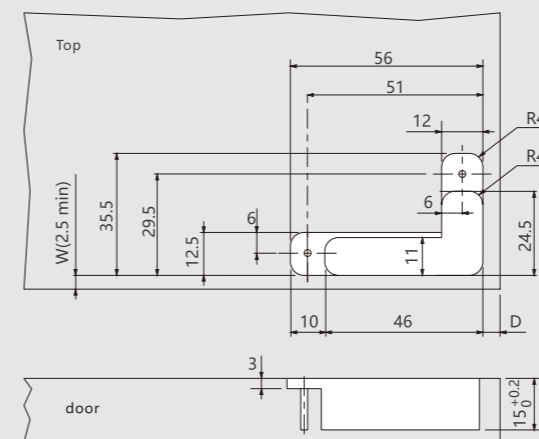
### ORDER INFORMATION

#### Cabinet drilling dimension

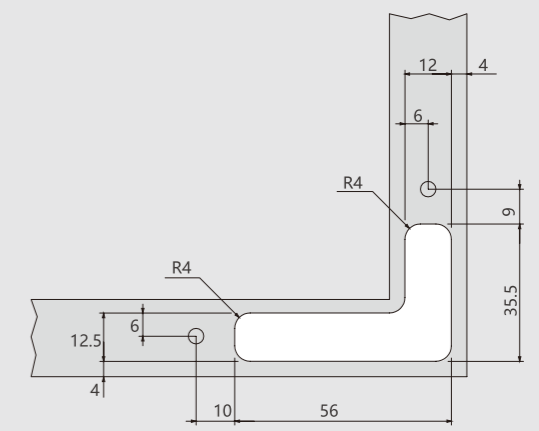
$A=(17+D)-S$        $Y=X-W$        $W=X-Y$        $X=W+Y$   
 A=Cabinet top/bottom drilling distance from the side      S=Overlay      Y=Distance between Cabinet top/bottom and door top/bottom  
 X=Cabinet top/bottom drilling distance from the edge      W= Door top/bottom drilling distance from the edge



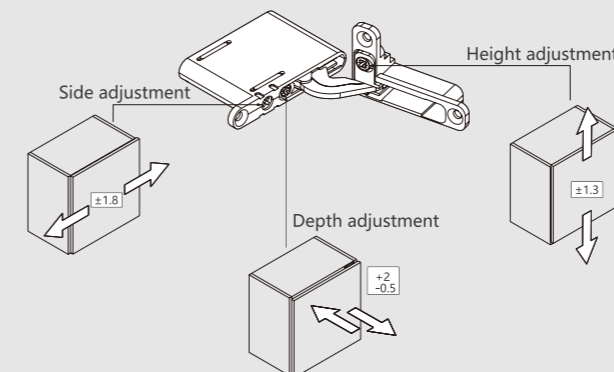
#### Wooden door drilling dimension



#### Aluminum door drilling dimension



#### Adjustment

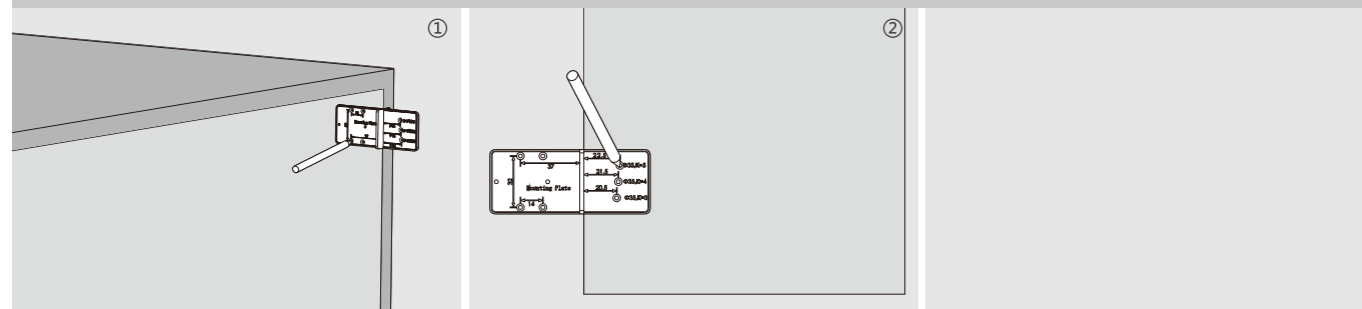




### Order Information

Universal Marking Template	
Item No.	JB37W
Pcs/ctn	200

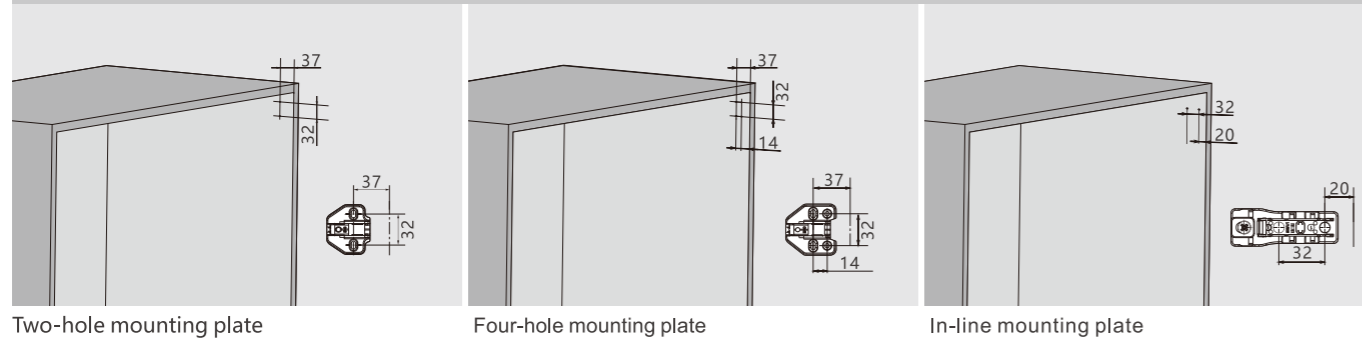
### Marking Position



- ① Mark the position of the mounting plate screw holes
- ② Mark the position of the hinge cup hole

### Application

#### Hinge System - Mounting Plate Installation Instruction

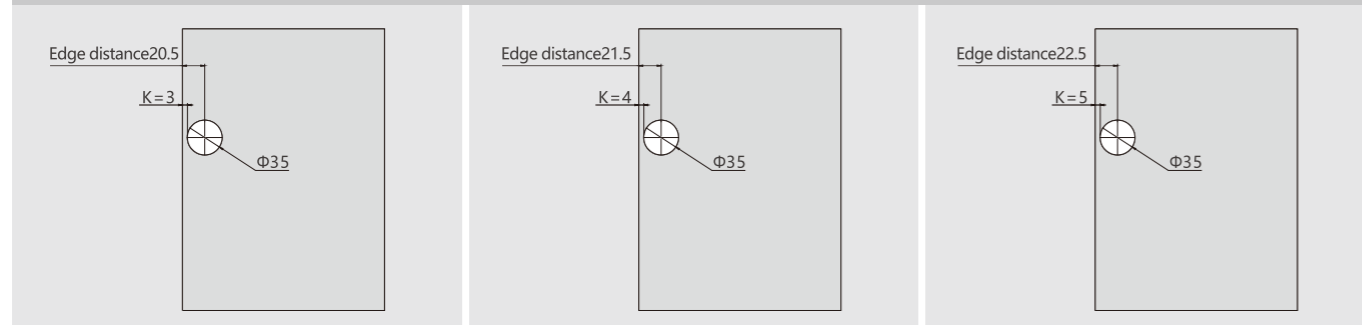


Two-hole mounting plate

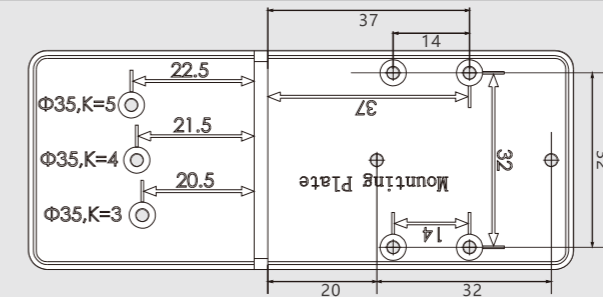
Four-hole mounting plate

In-line mounting plate

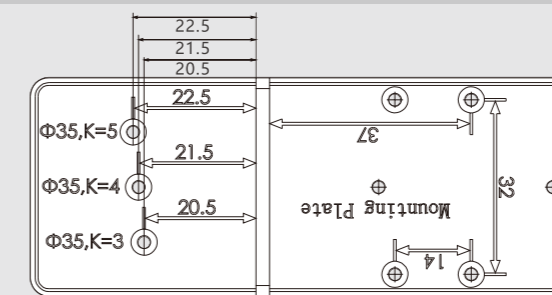
#### Hinge System- Hinge Cup Installation Instruction



### Mounting plate screw position



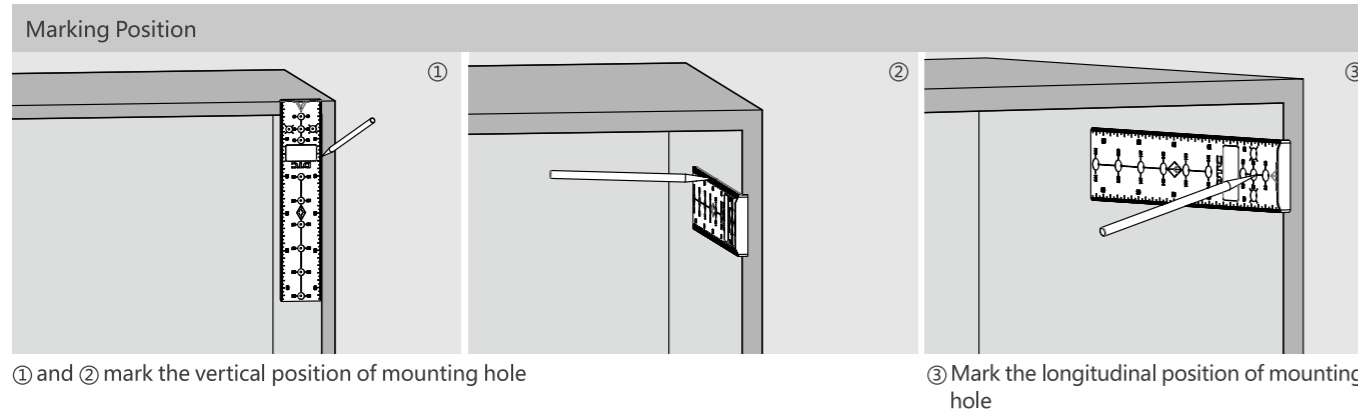
### Hinge cup hole position



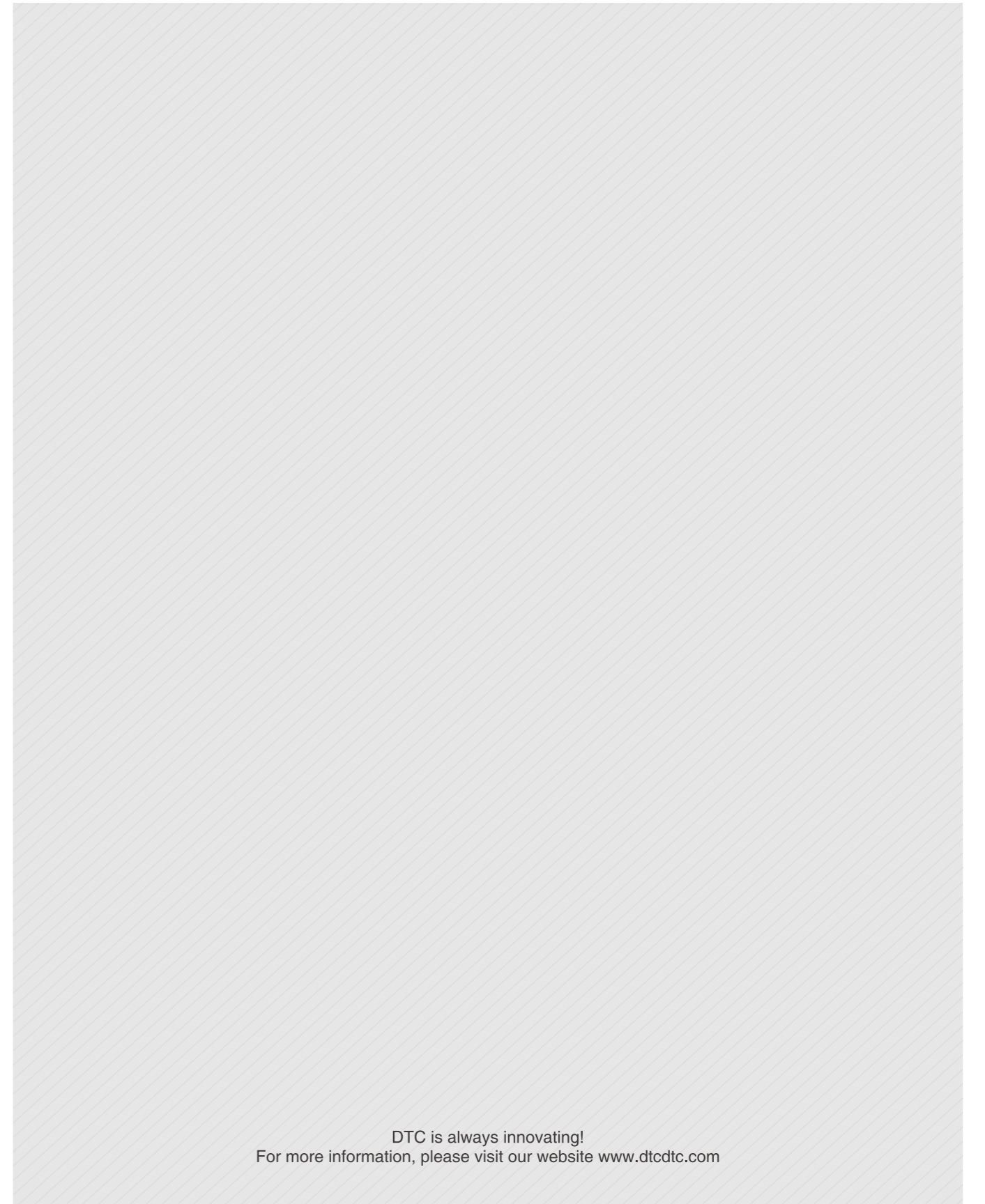
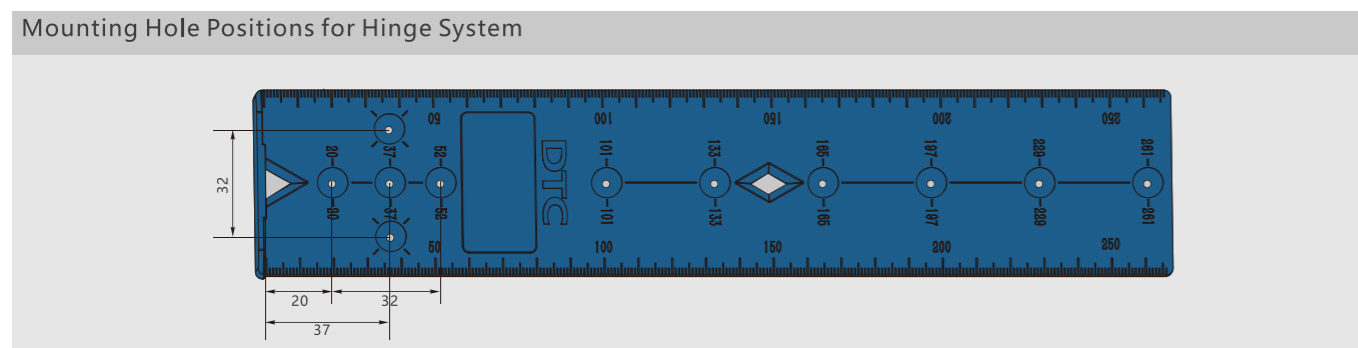
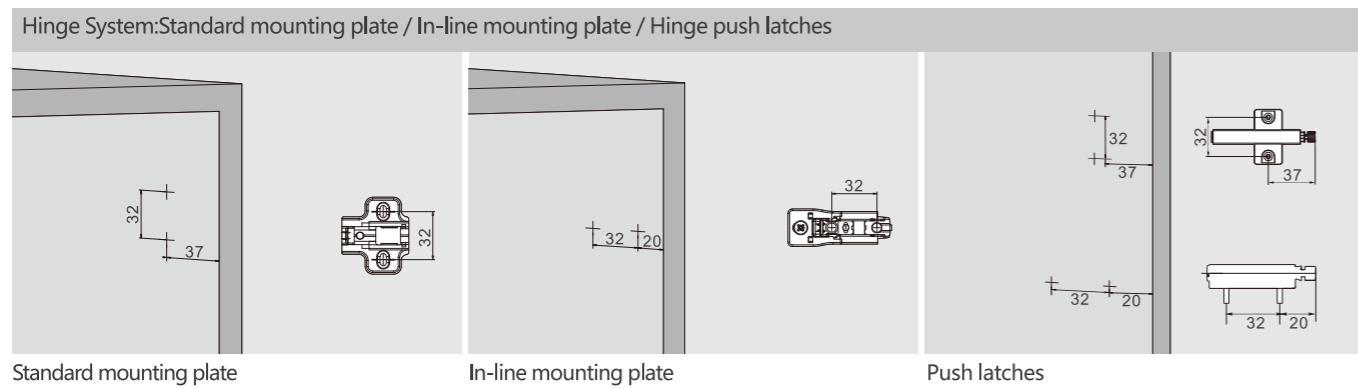


### Order Information

	Universal Marking Template
	Blue (H23)
	Item No. <b>DT02</b>
	Pcs/ctn 100



### Application



DTC is always innovating!  
For more information, please visit our website [www.dtcctc.com](http://www.dtcctc.com)