

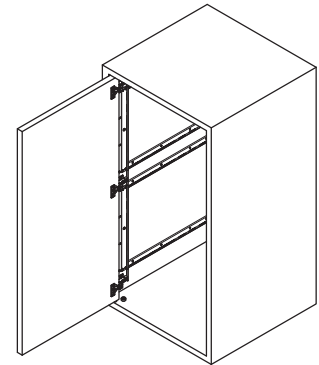
Installation Manual

ALT-ST15-D360

POCKET DOOR SYSTEM (INSET) SOFT CLOSING



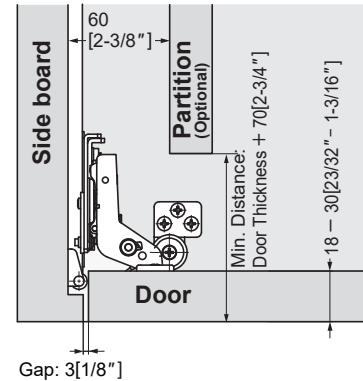
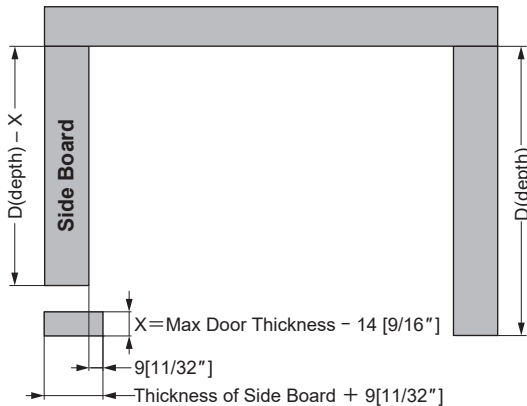
- Before installation, please read!
- For the most accuracy, please use metric measurements as they were converted to imperial measurements for reference.
- The illustration is illustrated at the left hanging source.



Prepare the front frame of the cabinet

On the hinge side of the cabinet, add a front stile to minimize the visibility of the hardware and to provide a clean, symmetrical reveal.

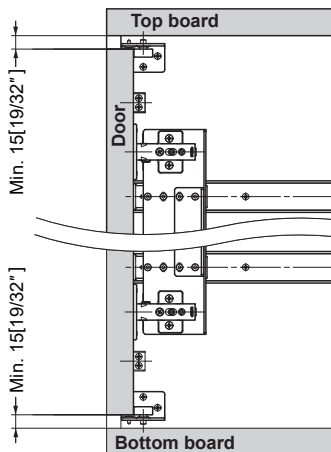
The dimensions of the left and right side boards are different.



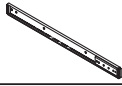


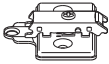















Prepare the door

- Door Width = Cabinet Opening Width - 15[9/16"]
 where 15 mm[19/32"] = 9[11/32"] + 3[1/8"] + 3[1/8"]
 Stile Width Left Gap Right Gap
- Door Height = Cabinet Opening Height - 10[13/32"] | 10[13/32"] = 5[3/16"] + 5[3/16"]
 Top Gap Bottom Gap

NOTE: If Optional Side Mounting Bracket is used;
 Door Height = Cabinet Opening Height - 15[19/32"] × 2









Rail Size	Door Storing	Cabinet Depth
16	316 [12-7/16"] + Door Thickness	412 [16-7/32"] + Door Thickness
19	392 [15-7/16"] + Door Thickness	488 [19-7/32"] + Door Thickness
22	468 [18-7/16"] + Door Thickness	564 [22-7/32"] + Door Thickness
24	519 [20-7/16"] + Door Thickness	615 [24-7/32"] + Door Thickness
28	621 [24-7/16"] + Door Thickness	717 [28-7/32"] + Door Thickness

			Inset (ST15-D360)				
			S Type	M Type	L Type	LL Type	
1	Rail*	 AL80C 16 - 28 in	2	2	4	4	
2	Connecting plate	 ALT-ST15-S ALT-ST15-M ALT-ST15-L ALT-ST15-LL	1	1	1	1	
3	Concealed hinge	 H360-D26-0T	2	2	3	3	
4	Hinge mounting plate	 360-P4W-30T	2	2	3	3	
5	Mounting plate	 ALT-MP30	2	2	3	3	
6	Guide roller	 ALT-GR	2	2	3	3	
Parts Set	7	Catch**	 AL127-CH	2	2	3	3
	8	Roller	 DU19-B4SBR	2	2	2	2
	9	Roller bracket	 ALT-2V-AB	1	1	1	1
			ALT-2V-BB	1	1	1	1
	10	Insert nut	 SC-107-13	2	2	2	2
	11	Slider	 G-175	2	2	2	2
	12	ALT-AB M5 Adjustment bolt		1	1	2	2
	13	Bind head tapping screw 3.5×15		18	18	34	34
	14	Bind head tapping screw 4×16		6	6	6	6
	15	Raised countersunk head tapping screw 3.5×15		4	4	6	6
	16	Hexagon flange head screw M4×6		4	4	8	8
17	Hexagon flange head screw M4×8		4	4	8	8	
18	Raised countersunk head screw M4×10		6	6	9	9	
19	Hex key		1	1	1	1	




 Caution  Prohibited  Required

Caution


If not followed, injury or damage may result.

-  Provide a cabinet that can withstand the weight and impact of opening and closing the door. Be sure to use the specified screws and tighten them securely. If the mounting strength is insufficient, the door may fall and can cause injury.
-  Follow the specified dimensions, specifications, and alignment of the cabinet. Make sure that the cabinet is not warped, since it may affect the movement of the door.
-  Position the handle so that the hand holding the handle does not strike the side board.
-  When moving the cabinet, remove the door and re-assemble it at the site.
-  This product is a part for furniture. After installation, check the function and safety of the final product.
-  Make sure to check the screws for slack at regular intervals. (one month and six months from first usage and then once every year is recommended).

• Be sure to inform users of the precautions below regarding opening and closing.

-  Do not force the door to open past 90°. Damage may result.
-  When closing the door, pull it out until the catch clicks and then close it.
-  Repeated opening and closing may cause the inner rail to disconnect, shortening the door movement distance. Push the door fully inward or pull it fully out to correct the deviation.

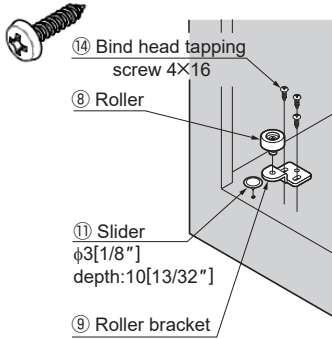
* Do not cut rails. Rail sizes (inches) include 16, 19, 22, 24, and 28.

** This catch holds the door at the pulled-out position. Be sure to mount it on the uppermost and lower slide rails (For details, see P.4 ).

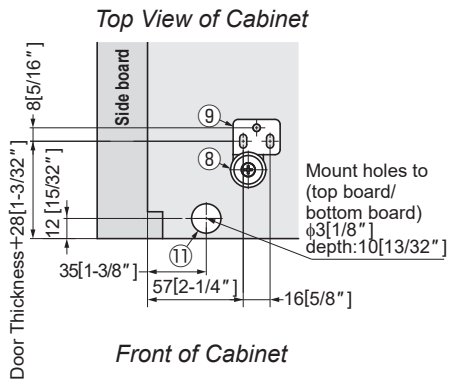
1 Mount Rollers to Cabinet Frame (NOTE: There are 3 types depending on your applications.)

Surface Mount

■ If Bottom Mount Bracket - Roller Bracket ⑨

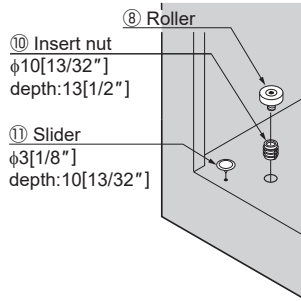


Position Roller Bracket as shown below:

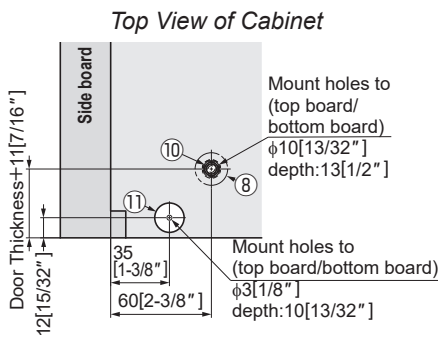


Flush Mount

■ Roller Guide Only

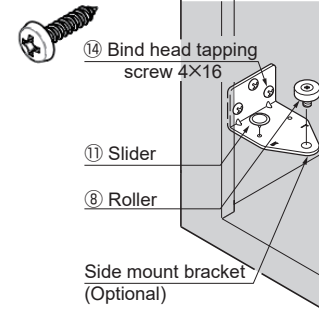


Position Insert Nut as shown below:



Side Mount

■ Side Board Installation

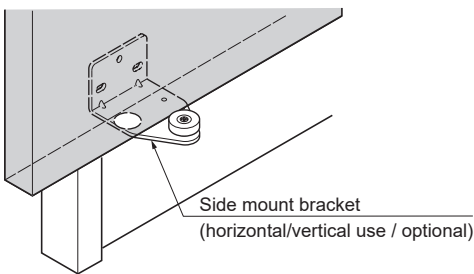


NOTE: Optional Side Mounting Bracket Sold Separately

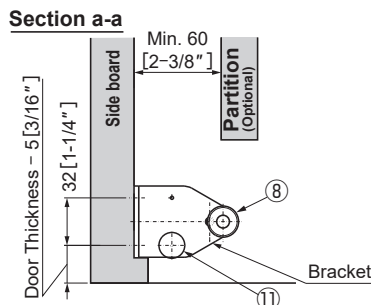
Requires a larger reveal:
Top 15 [19/32"]
Bottom 15 [19/32"]

Go to: "Step 2: Side Board Installation"

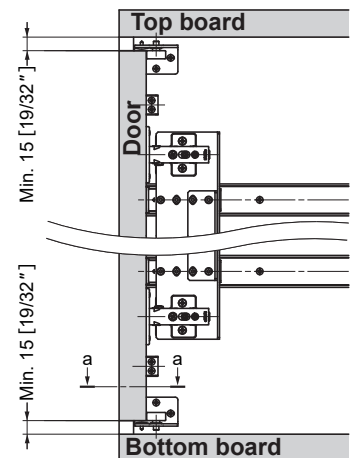
2 Side Board Installation



Item Name
ALT - BR



Note: Slider should always be installed towards front of the cabinet.



3 Install Slide Rail Catch (Detent) To Slide Rails

Install Rail Catch

Forward direction sign

1

Catch

2

Type	S	M	L	LL
Rail Quantity	2	2	4	4
Catch Quantity	2	2	3	3
Catch mounting location [part]	■	■	■ ■ ■	■ ■ ■

See next page for Rail Placement Drawings

4 Install Slide Rails & Guide Roller 1/2(Fix the only top slide rail and temporarily fix all other slide rails).

1 Fix the top slide in place with the provided screws.
Screws: Bind head tapping screw 3.5×15

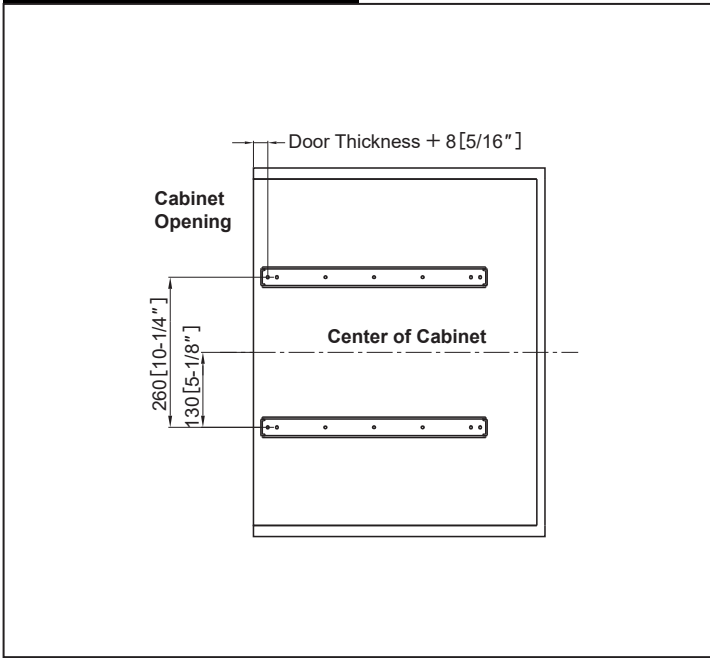
2 Temporarily fix front and back sides for all other slides.

3 Mount the guide roller using
⑬ Bind Head Tapping Screw 3.5×15

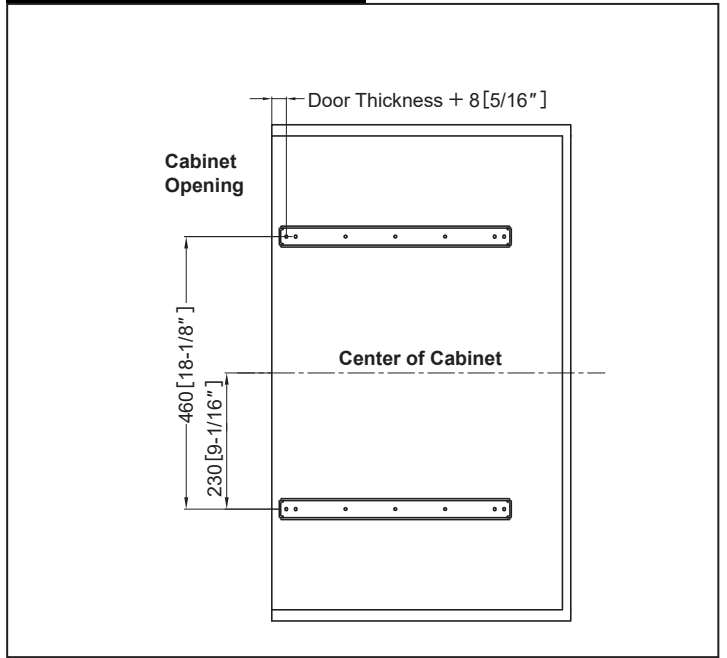
⑬ Bind head tapping screw 3.5×15

Caution
positioned to not interfere with slides

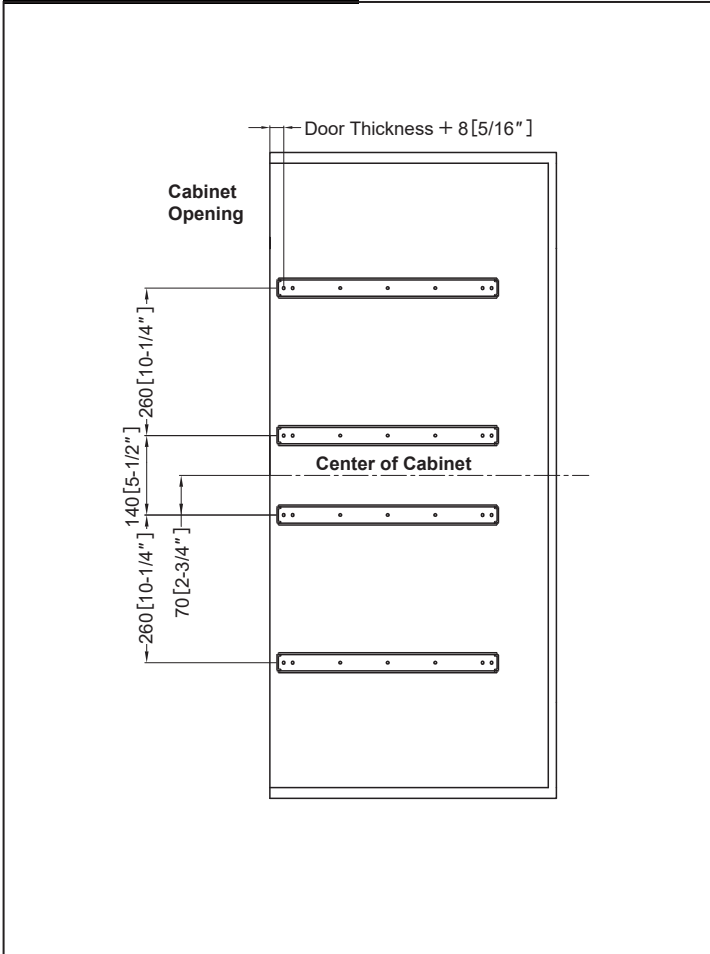
S Type (2 slide rails) Rail Placement



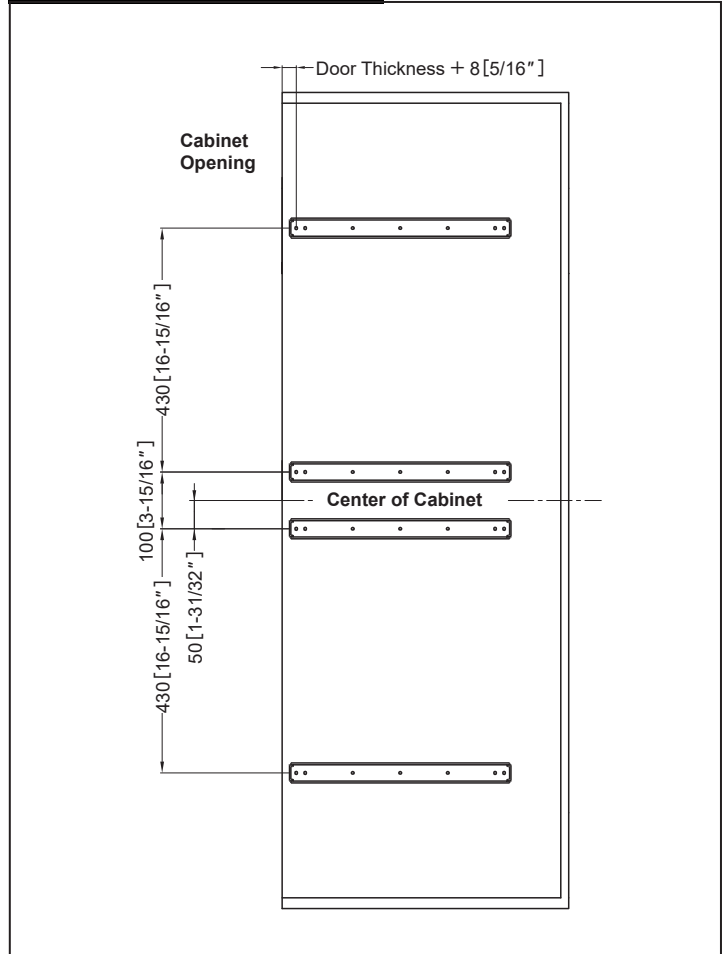
M Type (2 slide rails) Rail Placement



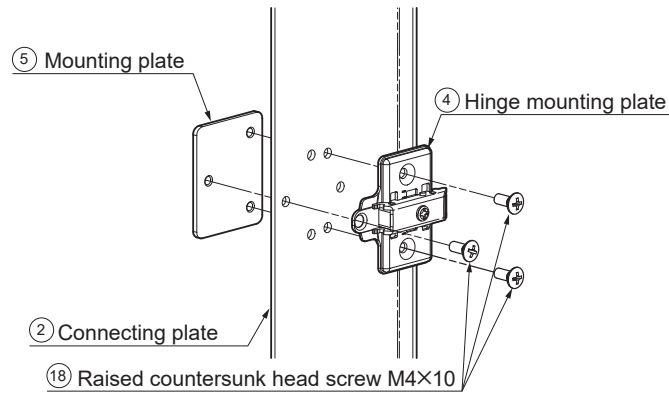
L Type (4 slide rails) Rail Placement



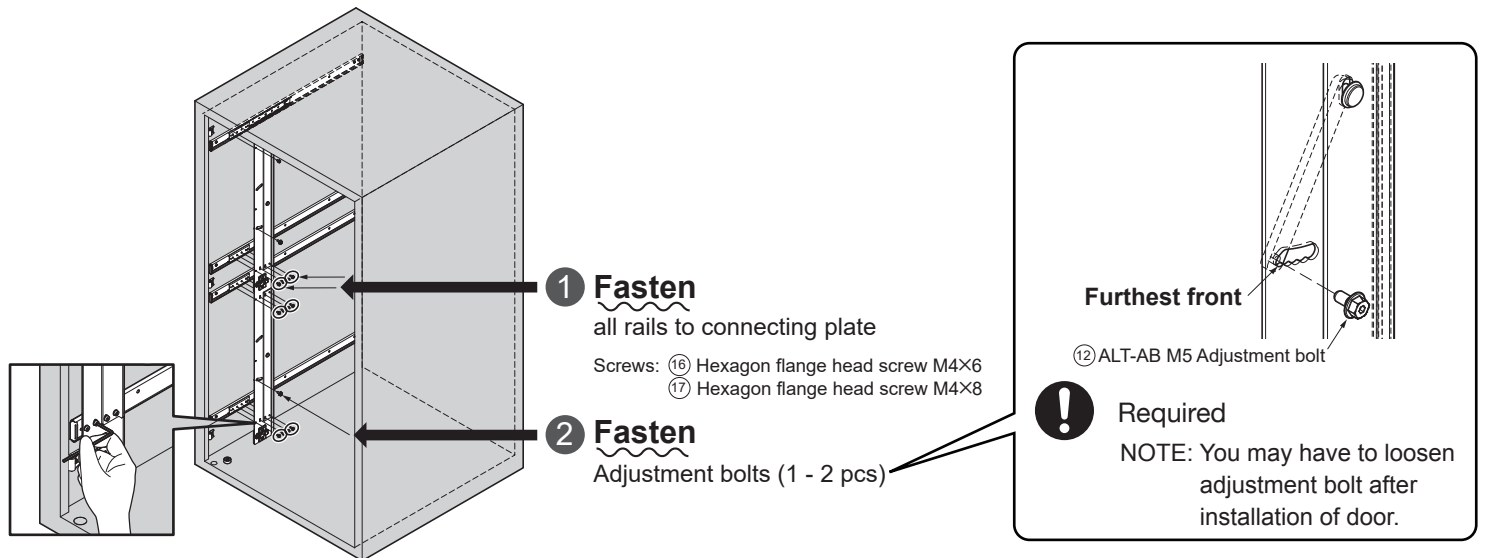
LL Type (4 slide rails) Rail Placement



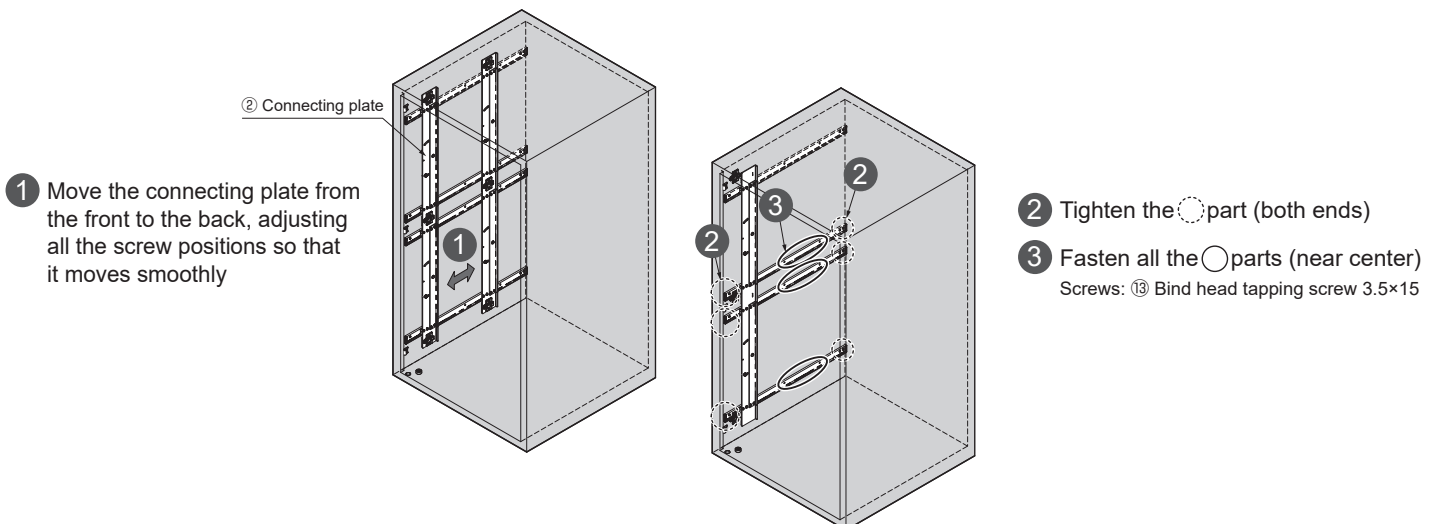
5 Attach Mounting Plates To Connecting Bar

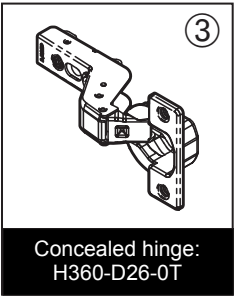


6 Mount Assembled Connecting Bar to Slide Rails



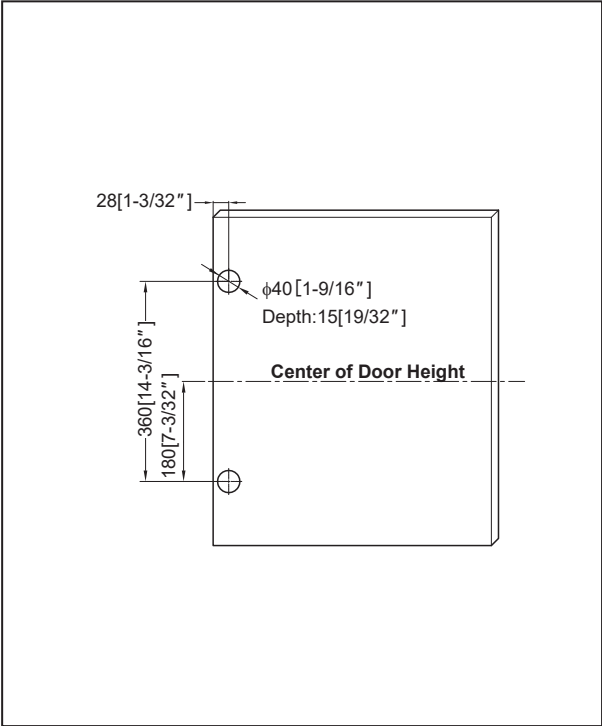
7 Fixing all other slide rails 2/2



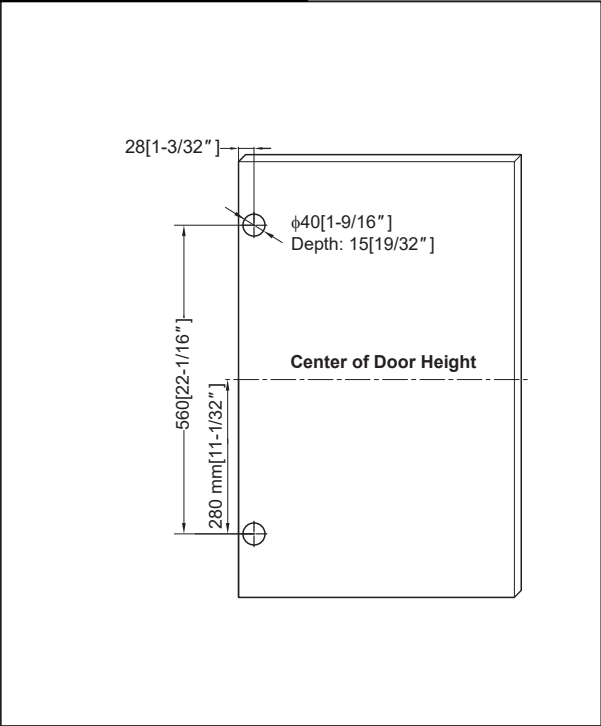


8 Install Hinges to the Door (refer to the following Hinge Placement based on Type of ALT system being installed.)

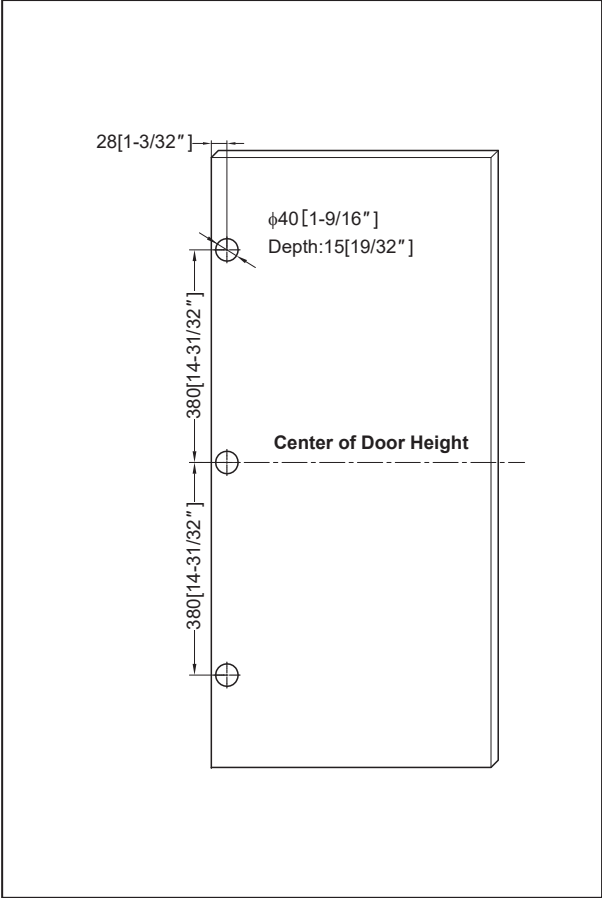
S Type (2 Hinges) Hinge Placement



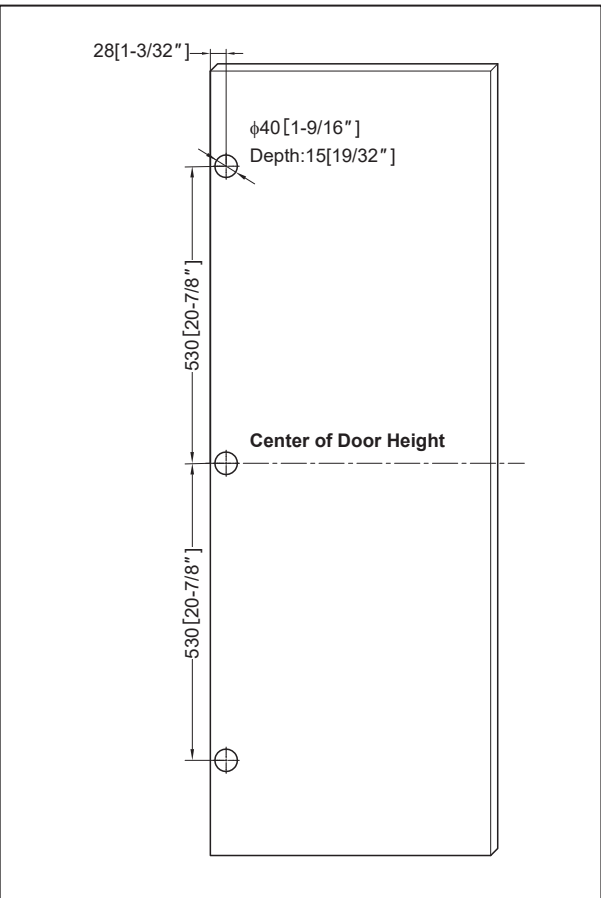
M Type (2 Hinges) Hinge Placement



L Type (3 Hinges) Hinge Placement

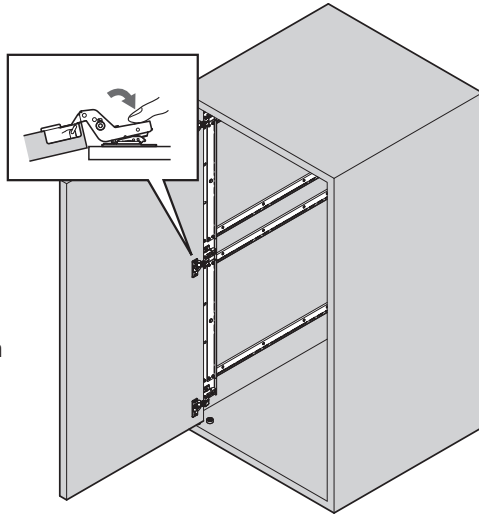


LL Type (3 Hinges) Hinge Placement

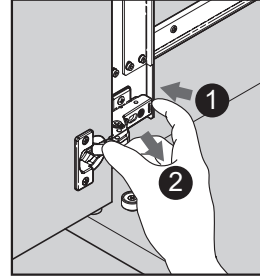


9 Hanging the Door

Simply line up hinge over the mounting plate and press down

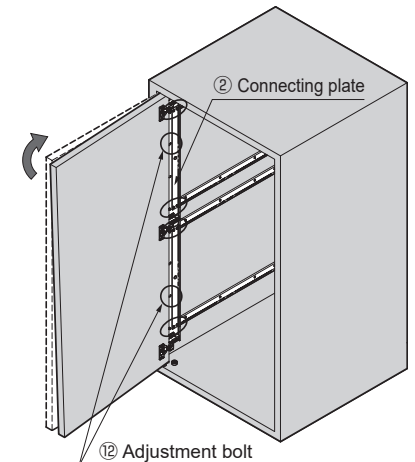
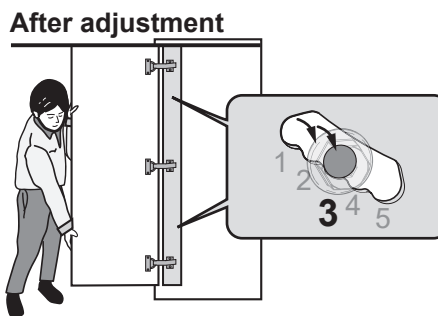
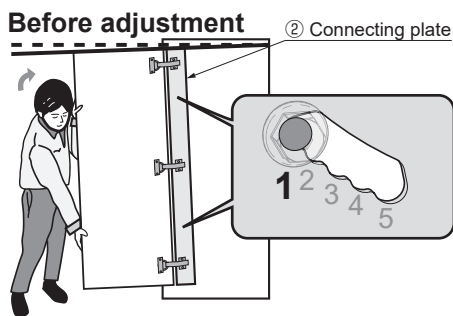
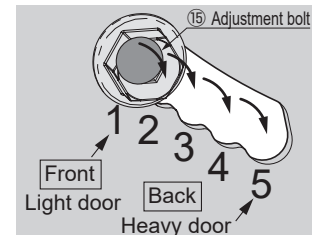


How to remove



10 Adjusting The Angle of the Door

- 1 Loosen the screws fixing the connecting plate and the adjustment bolts. (After tightening, loosen 90° - 180°)
- 2 Lift the door and shift the adjustment bolt backward one level at a time, to make the door and connecting plate vertical. **5-stage adjustment is possible** in accordance with the door weight.
*When there are adjustment bolts at top and bottom, align their positions.

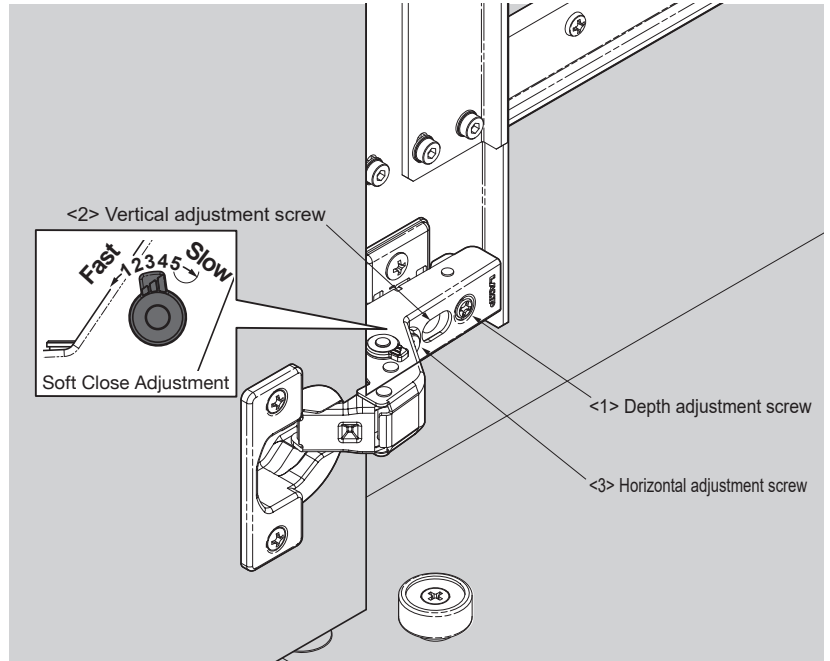
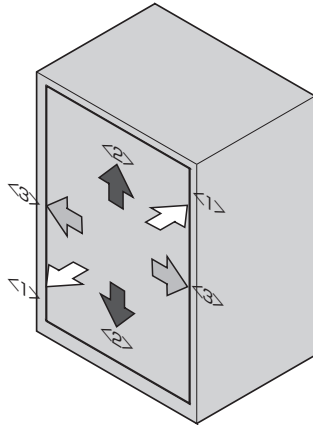


- 3 Tighten all the screws once the door is in the desired position.





Do not use drill for adjustments



SUGATSUNE KOGYO CO., LTD.
Tokyo, JAPAN
Phone: +81 3 3866 2260
E-mail: export@sugatsune.co.jp

SUGATSUNE KOGYO (UK) LIMITED
Reading, UK
Phone: +44 1189 272 955
E-mail: sales@sugatsune.co.uk

SUGATSUNE EUROPE GmbH
Düsseldorf, GERMANY
Phone: +49 211 53812 900
E-mail: sales@sugatsune.eu

SUGATSUNE AMERICA, INC.
California, USA
Phone: +1 310 329 6373
E-mail: sales@sugatsune.com

Chicago, USA
Phone: +1 630 317 7072
E-mail: sales@sugatsune.com

SUGATSUNE CANADA, INC.
Montreal, CANADA
Phone: +1 514 312 5267
E-mail: support@sugatsune.ca

SUGATSUNE SHANGHAI CO., LTD.
Shanghai, CHINA
Phone: +86 21 3632 1858
E-mail: lamp@sugatsune.com.cn

Guangzhou, CHINA
Phone: +86 20 6639 3554
E-mail: lamp@sugatsune.com.cn

SUGATSUNE KOREA CO., LTD.
Incheon, KOREA
Phone: +82 32 220 0603
E-mail: sales@sugatsune-korea.co.kr

SUGATSUNE KOGYO INDIA PRIVATE LIMITED
Mumbai, INDIA
Phone: +91 9867299597
E-mail: sales@sugatsune.in
Delhi, INDIA
Phone: +91 9867299597
+91 11 45093636
E-mail: sales@sugatsune.in

ISO9001(Japan Offices and Sugatsune America) and ISO14001(Chiba Production division and Logistics center), certified.

2024.03 1540-3e